

Superior V-Guided  
Belt Tracking

Universal Motor &  
Mounting Package

Fast & Simple to Use  
Online Configurator

Industry-Best  
Product Transfers



# 2200 LOW PROFILE 2200 PRECISION MOVE 2700 MEDIUM DUTY

**DORNER®**



## 2200 Low Profile

- 32 mm (1.25 in) roller diameter, widths from 44 mm (1.75 in) to 610 mm (24 in), low profile design for precise handling of products and small spaces



## 2700 Medium Duty Conveyors

- 60 mm (2.4 in) roller diameter, widths from 203 mm (8 in) to 914 mm (36 in), larger frame and bearings for greater load capacity



## Sleek Frame Designs

- Sturdy single-piece frame with universal T-Slot for fast and simple attachment of accessories and guiding with industry available hardware



## Precision Move

- Provides accurate alignment of both time and distance to move products efficiently in assembly automation applications



## iDrive

- The industry's most compact drive saves space and reduces integration time



## LPZs

- Sleek, low profile Z-Frame Conveyors are ideal for product elevation changes and can easily fit under machinery

## The Benefits of a DORNER 2200/2700 Series Conveyor

### Low Maintenance

- DORNER's industry best v-guiding provides positive belt tracking, even under demanding side load applications
- Precise rack and pinion belt tensioning allows for fast and simple tensioning
- Sealed for life bearings reduce maintenance
- Universal Drive provides flexibility in design layout and simplicity in spare part management

### Time Saving

- DORNER's online configurator engineers simple or complex conveyors to meet your needs in minutes
- The industry leading tool delivers a complete 3D CAD assembly model for instant validation of fit
- DORNER provides the industry's fastest lead times with conveyors shipping in as little as 3 business days

## Fabric Belt Types

- Flat Belt
- Cleated Belt



Flat Belt



Flat Belt Cleated

## Precision Move Belt Types

- Precision Move
- Precision Move Cleated



Precision Move

### In-House Fabrication Capability

- Large Quantity of Stocked Materials
- Continuous V-Guiding
- Water Cooled Belt Splicing
- RF Cleat Welding
- Hole Punching

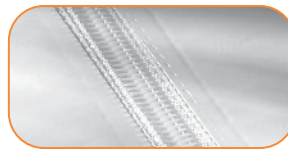


### Splicing



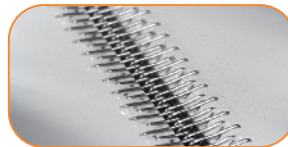
#### Finger Splice

All belts are available with a standard Thermoformed finger splice. This splice makes the belt continuous and is virtually undetectable.



#### Plastic Clipper

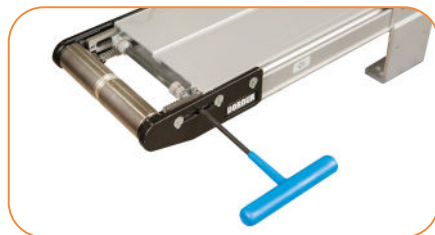
An optional plastic clipper splice is available for quick removal of belts or when conveyors are installed in tight spaces.



#### Metal Clipper

An optional metal clipper splice is also available for quick removal of belts or when conveyors are installed in tight spaces.

### Rack & Pinion Belt Tensioning



### Precise V-Guided Belting



### Unique Precision Move Reverse V-Guiding



## Modular Belt Types

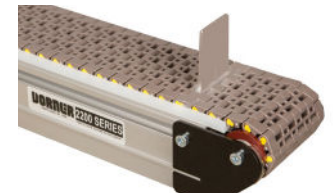
- Micropitch Closed Mesh
- Micropitch Open Mesh
- Metalworking Closed Mesh
- Metalworking Open Mesh
- Metalworking Cleated



Micropitch Closed Mesh



Metalworking



Metalworking Cleated

## Roller Conveyors

- Single piece frame lengths to 3.6 m (12 ft) long
- Rollers: 25 mm (1 in) diameter rollers on 31 mm (1.2 in), 61 mm (2.4 in) or 91 mm (3.6 in) centers





## Nose Bar Transfers

### Modular Belt



8 mm (0.31 in) Nose Bar Transfer Tails with belt speeds up to 53 m/min (175 ft/min)

### Fabric Belt



16 mm (5/8 in) High Speed Nose Bar Transfer Tail with belt speeds up to 61 m/min (200 ft/min)

## Frame Construction

### Modular Belt Frames

Rugged open frame design for water and chemical drainage and air cooling



### Belted Frames

Durable, hard anodized, aluminum bedplate provides durability without adding weight



Multi-piece

## Drive Types



End Drive



Center Drive



iDrive®



Mid Drive

Common Drives Also Available

## Motors & Controls



Small Gearmotors



Standard Load Gearmotors



Servo Gearboxes



VFD Control

Additional Options Available

## Guiding

### Multiple Guiding Options

- Low Side
- Aluminum Side
- Tool-less Adjustable
- Adjustable Outboard
- Extruded Plastic
- And More!



Cleated LPZ Aluminum Side Guiding



Adjustable Guiding

## Stands

### Multiple Stand Options

- Fixed Height Support Stands
- Adjustable Height Support Stands
- And More!



## 2200 & 2700 Series Conveyors are best for:

- Small to Medium Part Handling
- Transfers
- Accumulation
- Precision Part Movement
- Part Incline/Decline Routing (Z Frames)
- Positioning
- Automated and Manual Assembly

## Sizes & Measurements

- 25 - 914 mm (1 - 36 in) widths
- 457 - 9144 mm (18 in - 30 ft) lengths

## Loads & Speeds

- Up to 68 kg (150 lbs)
- Up to 122 mpm (400 fpm)



## Conveyor Configurations



Straight



Z-Frame



2700 Series

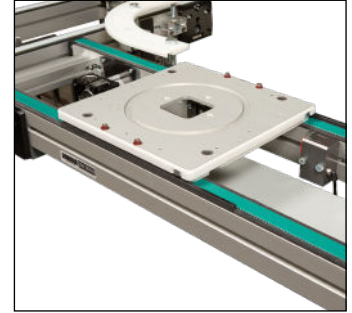
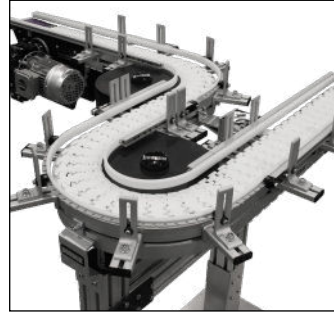
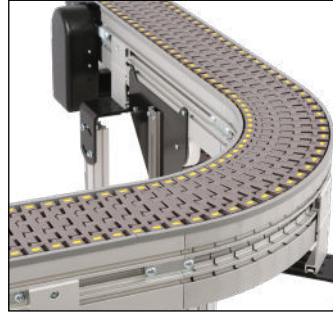


Horizontal to Incline

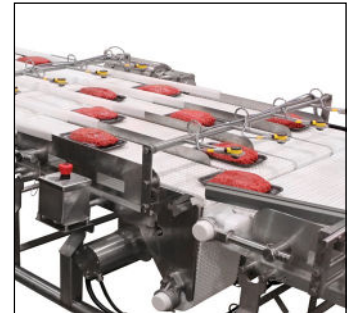
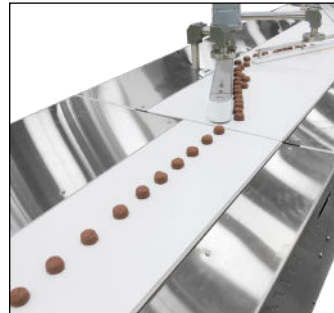


Nose-Over

## Industrial & Automation Conveyors



## Sanitary Conveyors



## Engineered Solutions



Parts

Service

Online Configurator

Warranty

## Transforming Conveyor Automation

### Dorner – North & South America

**Dorner – U.S.A. Headquarters**  
975 Cottonwood Ave  
Hartland, WI 53029, USA  
(800) 397-8664  
(262) 367-7600  
info@dorner.com

**Dorner – Canada**  
100-5515 North Service Road  
Burlington, Ontario L7L 6G6  
Canada  
(289) 208-7306  
info@dorner.com

**Dorner – Latin America**  
Carretera a Nogales #5297,  
Nave 11. Parque Industrial Nogales  
Zapopan, Jalisco C.P. 45222  
Mexico  
+52.33.30037400  
info.latinamerica@dorner.com

# DORNER®



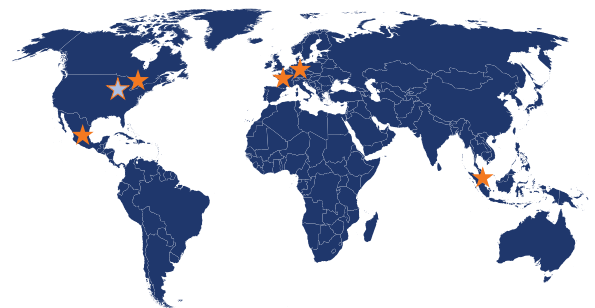
### Dorner – Europe

**Dorner – Germany**  
Karl-Heinz-Beckurts-Straße 7  
52428 Jülich,  
Germany  
+49 (0) 2461/93767-0  
info.europe@dorner.com

**Dorner – France**  
8 rue des Frères Caudron  
78140 Velizy-Villacoublay  
France  
+33 (0)1 84 73 24 27  
info.france@dorner.com

### Dorner – Asia

128 Jalan Permatang Damar Laut, Bayan Lepas 11960  
Penang, Malaysia  
+604-626-2948 | info.asia@dorner.com



[dornerconveyors.com](http://dornerconveyors.com)