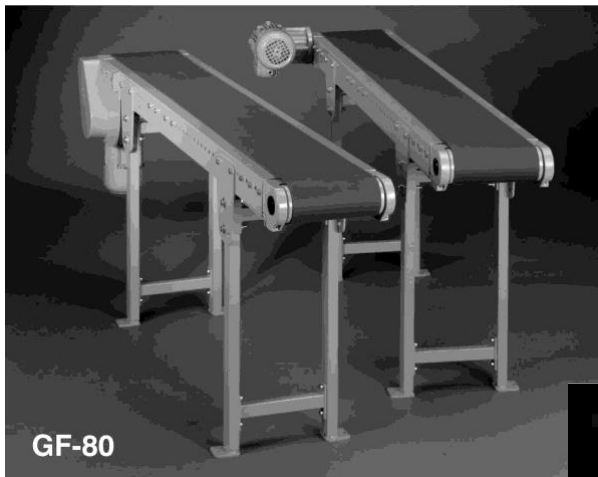




GF-80 Series Conveyors Operating Manual



Also applies to:
GF-80-M
GF-80-Magnet
GF-80-RDG
GK-80-K
GF-80-S
GK-80-Z/ZW

**Please read carefully
before use of machine !!!**



Dorner GmbH
Karl-Heinz-Beckurts-Str. 7
D-52428 Jülich
Germany

Phone: +49 2461 93767 0

Fax: +49 2461 93767 30

E-Mail: info.europe@dorner.com

Web: www.dorner.com

Table of contents:

- 1 Introduction 4
- 2 Safety during handling of our belt conveyors..... 4
 - 2.1 Safety equipment on our belt conveyors 4
 - 2.2 General advice for the correct handling of belt conveyors 4
 - 2.3 Duties of the operator 5
 - 2.4 Safety trade marks..... 5
- 3 Dimensions and technical data 6
 - 3.1 Basic dimensions 6
 - 3.1.1 Basic dimensions for GF-80-Magnet, GK-80-K, GF-80-S and GK-80-Z/ZW 7
 - 3.2 Belts 8
 - 3.3 Motors 9
 - 3.3.1 Geared motor, type SN3F: 9
 - 3.3.2 Geared motor, type SN9F: 10
 - 3.3.3 Geared motor, type SN8F: 11
 - 3.4 Electrical equipment 12
 - 3.4.1 Frequency converter..... 12
 - 3.4.2 Motor overload switch..... 13
 - 3.4.3 Emergency-stop-switch 14
- 4 Adjustments 15
 - 4.1 Drives..... 15
 - 4.1.1 Drive underneath the belt 15
 - 4.1.2 Side mounted drive..... 17
 - 4.2 Belt alignment 19
 - 4.2.1 Deflecting roller:..... 20
 - 4.2.2 Driving roller: 20
 - 4.2.3 Belt alignment at kink of GK-80-K/KW: 21
 - 4.2.4 Belt alignment at upper kink of GK-80-Z/ZW and of GF-80-S: 22
 - 4.3 Supports..... 23
 - 4.3.1 Protection against tip-over of flat belt conveyors 23
 - 4.3.2 Two-legged aluminium support 24
 - 4.3.3 Two-legged aluminium support, short version 24
 - 4.3.4 Two-legged steel support 25
 - 4.3.5 Two-legged steel support, short version 25
 - 4.3.6 Short steel support held from side..... 26
 - 4.3.7 Two-legged stainless steel support 26
 - 4.3.8 Single-legged steel support with aluminium base plate 27
 - 4.3.9 Steel H-shaped single-legged support 27
 - 4.3.10 Steel H-shaped single-legged support with castors..... 28
 - 4.3.11 Stainless steel H-shaped single-legged support 28
 - 4.3.12 Stainless steel H-shaped single-legged support with castors..... 28
 - 4.4 Kinks 29
- 5 Spare parts..... 30

Table of figures:

Figure 3-1:	Basic dimensions GF-80	6
Figure 3-2:	Basic dimensions GF-80-M	6
Figure 3-3:	Basic dimensions GK-80	7
Figure 3-4:	Basic dimensions GK-80-KW	7
Figure 3-5:	Table on belt types	8
Figure 3-6:	Frequency converter.....	12
Figure 3-7:	Connection of frequency converter to motor	12
Figure 3-8:	Motor overload switch.....	13
Figure 3-9:	Connection of overload switch to motor	13
Figure 3-10:	Emergency-stop-switch	14
Figure 3-11:	Connection of emergency-stop-switch to 230V 50Hz	14
Figure 3-12:	Connection of emergency-stop-switch to 380V 50Hz	14
Figure 4-1:	Removal of chain cover	15
Figure 4-2:	Adjustment of chain slack.....	15
Figure 4-3:	Normal chain slack	16
Figure 4-4:	Dismounting side motor.....	17
Figure 4-5:	Adjustment of clutch play	17
Figure 4-6:	Rotated installation positions of the motor	18
Figure 4-7:	Belt reaction to different bracket positions	19
Figure 4-8:	Tracking of belt using supporting rollers	19
Figure 4-9:	Belt alignment at deflecting roller	20
Figure 4-10:	Belt alignment at driving roller	20
Figure 4-11:	Axial distances on kinked belt conveyor	21
Figure 4-12:	Belt alignment in the lower kink	21
Figure 4-13:	Axial distances on Z-shaped belt conveyor	22
Figure 4-14:	Belt alignment in upper kink.....	22
Figure 4-15:	Maximum weight at end of conveyor with supports on wheels	23
Figure 4-16:	Two-legged aluminium support, height adjustment	24
Figure 4-17:	Two-legged aluminium support, inclination adjustment.....	24
Figure 4-18:	Two-legged steel support, height adjustment	25
Figure 4-19:	Two-legged steel support, inclination adjustment	25
Figure 4-20:	Short steel support held from side, height adjustment	26
Figure 4-21:	Single-legged steel support with aluminium base plate, height adjustment.....	27
Figure 4-22:	Single-legged steel support with aluminium base plate, inclination adjustment	27
Figure 4-23:	Steel H-shaped single-legged support, brake	28
Figure 4-24:	Adjustable kink, angle range.....	29
Figure 4-25:	Adjustment of kink angle.....	29
Figure 4-26:	Adjustment of kink angle in upper kink	30

1 Introduction

Our belt conveyors are provided for inside use only; they are not suitable for damp and wet locations or areas exposed to danger of explosion. However special versions, which are suitable for such areas, can be supplied after consultation and confirmation.

Maintenance of the belt conveyors is limited to an occasional check of the running of the belt. To adjust the belt we recommend strongly to observe the advice given in this operating manual.

2 Safety during handling of our belt conveyors

All our standard belt conveyors were designed with special emphasis on safety. Specially during operation of the belt conveyors, unnecessary risks have to be avoided. Thus the design of many components has been carried out in such a way that the risk to injury of the operating personnel is minimised.

2.1 Safety equipment on our belt conveyors

One of the most frequent type of accidents when working on or with conveyors is injury sustained to parts of the body which are caught between the circulating belt and the rotating rollers. To make these accidents impossible or to minimise this risk to the widest extent, all Dorner belt conveyors are equipped with a gap protection wherever the belt runs over a roller. This gap protection is designed in such a way that during adjustment work it is automatically positioned in correct relation to the roller.

To avoid damages to electrical equipment and to minimise the risk of electrical shock, all parts of our belt conveyors are connected to earth.

For all our belt conveyors we provide a safety switch which cuts-off the current to the unit automatically in the case of overload or overheating. In addition to that each conveyor has an emergency-stop-switch to switch-off the belt conveyor quickly in any case of emergency. See also section 3.4.

If a belt conveyor is delivered without safety switch or emergency stop switch, the operator must ensure a correct set-up of the machine and provide an opportunity to stop the belt in case of emergency.

2.2 General advice for the correct handling of belt conveyors

Any work or installation on the mechanical part of the conveyors may only be carried out by a mechanic or personnel with equivalent education or indoctrination. Any work or installation on the electrical part of the conveyors may only be carried out by an electrician or personnel with equivalent education or indoctrination.

The operators and all personnel working on or with a conveyor should wear suitable protective clothing. That includes safety shoes for protection against falling objects as well as tight fitting clothes and hair nets for people with long hair to minimise the risk of getting caught in the belt.

A functional test of the security-stop-switch should be performed daily. That includes a test of the protection against uncontrolled restart after a voltage drop. The conveyor may not start by it self after a voltage drop. It may only start after the actuation of a button.

The working height should be adjusted to an ergonomic level, if that is possible and wanted.

Touching the belt while it is running is prohibited. People may not be transported on the belt.

In case of an emergency the belt of the conveyor can be moved backwards by pulling on it.

2.3 Duties of the operator

The operator of a conveyor has to make sure that all requirements for a safe operation of the device are met. Therefore the following has to be taken into account:

- There has to be sufficient lighting at each persons workplace.
- The conveyors can only be used in inside areas.
- The maximum weights must not be exceeded. With this the danger of tipping over a conveyor on supports with wheels has to be taken into account.
- Accessory added later must not endanger the operators.

2.4 Safety trade marks

Some of our standard belt conveyors can be equipped with special safety trade marks. These will be attached to the machine on request.

Based on an individual application of the belt conveyor, an individual adaptation may be required. This can be provided by us as the manufacturer or by the client himself. In both cases, a cancellation of the validity of the safety trade mark may be the result.

3 Dimensions and technical data

3.1 Basic dimensions

The most important dimensions of the belt conveyors GF-80, GF-80-Magnet, GF-80-M, GK-80, GK-80-K/KW, GF-80-S and GK-80-Z/ZW are shown in the following figures:

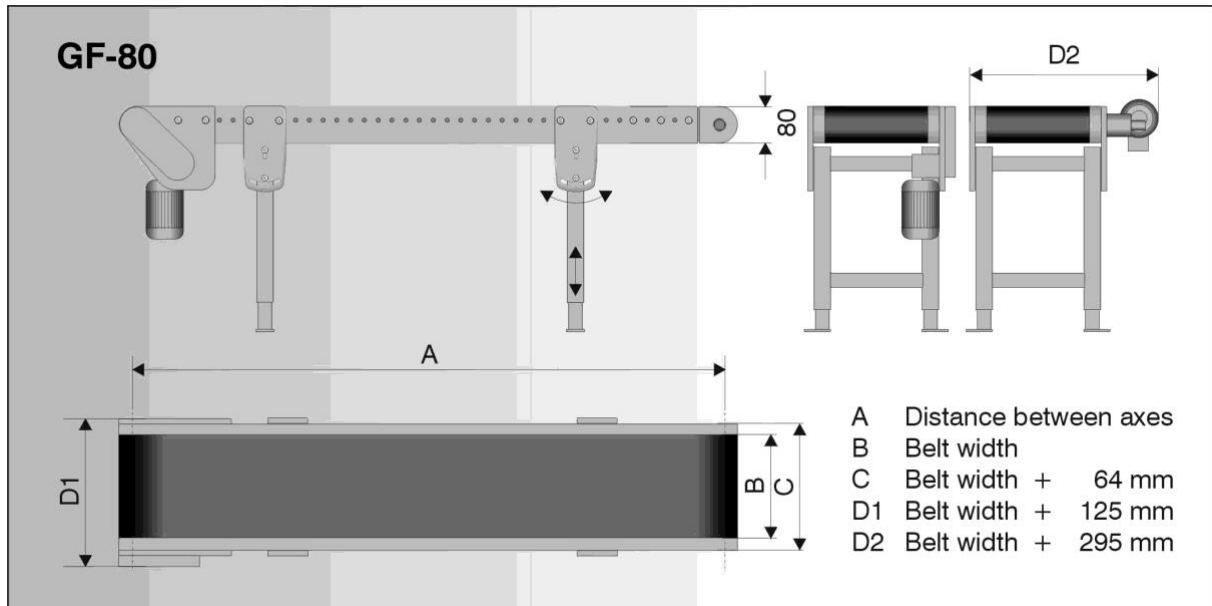


Figure 3-1: Basic dimensions GF-80

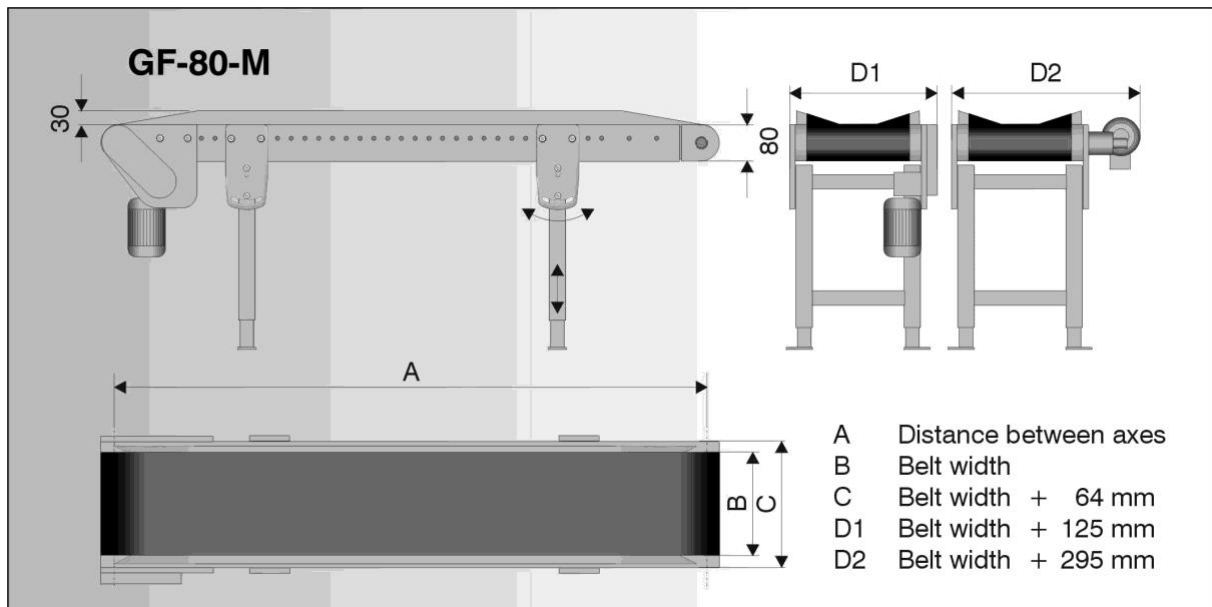


Figure 3-2: Basic dimensions GF-80-M

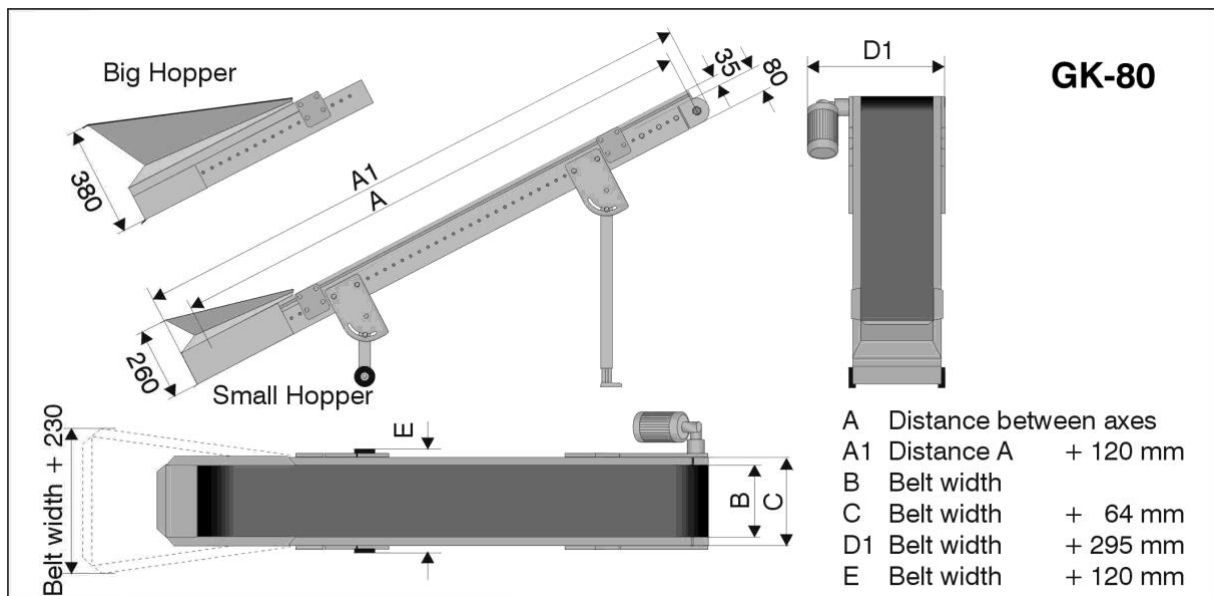


Figure 3-3: Basic dimensions GK-80

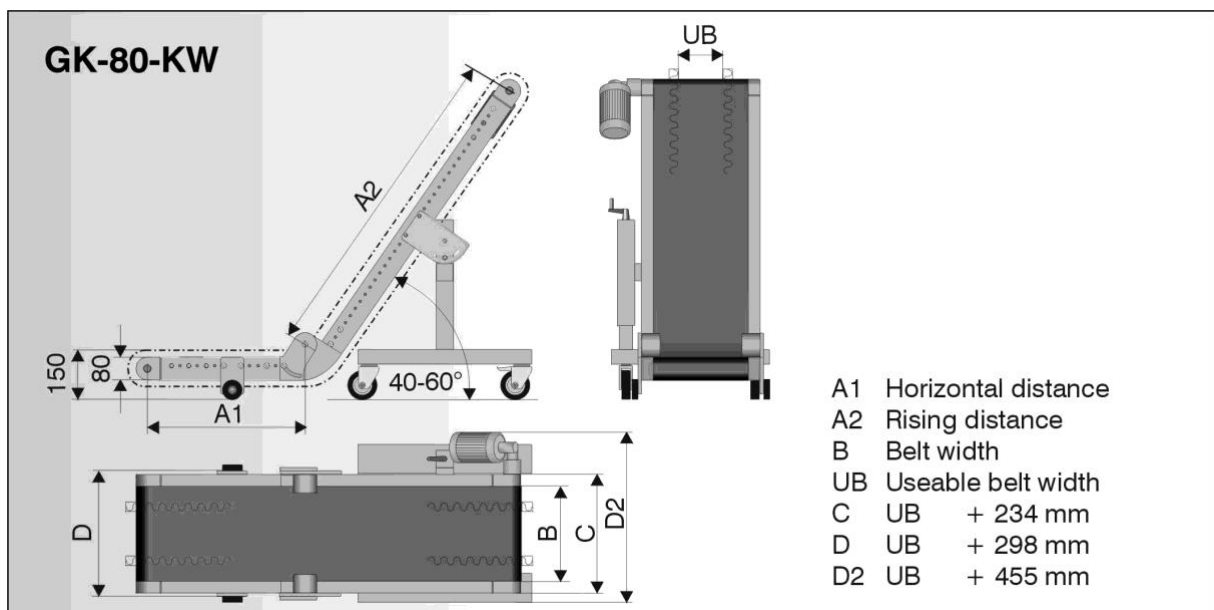


Figure 3-4: Basic dimensions GK-80-KW

3.1.1 Basic dimensions for GF-80-Magnet, GK-80-K, GF-80-S and GK-80-Z/ZW

- The basic dimensions of the GF-80-Magnet are identical to those of the GF-80.
- The basic dimensions of the GK-80-K are identical to those of the GK-80-KW.
- The basic dimensions of the GF-80-S are identical to those of the GK-80-KW, but it has a rising part and an upper horizontal part instead of the lower horizontal part.
- The basic dimensions of the GK-80-Z/ZW are identical to those of the GK-80-KW, but it has an upper horizontal part in addition to the lower horizontal part.

3.2 Belts

The following table contains the technical data of our most frequently used belt types. All of these can be equipped with cross slats and corrugated edges.

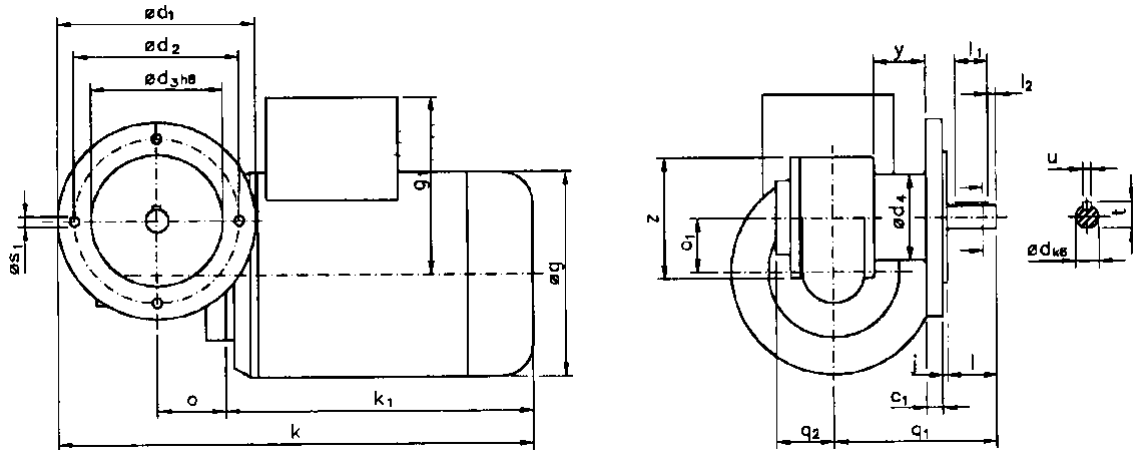
	Belt type					
	G1	G3 PVC	G3 PU blue	G3 PU white	G4 Mini	G4 Super
Load at elongation of 1% in N per mm width	8	8	10	8	10	8
Fabric type	Polyester	Polyester	Polyester, laterally stable	Polyester	Polyester	Polyester
No. of layers	2	2	2	2	2	2
Colour	grey	blue/green	blue	white	blue/green	blue/green
Material on carrying side	PVC	PVC	PU	PU	PVC	PVC
Surface on carrying side	fabric	smooth coated, slightly sticky	smooth matt	smooth matt	structured	structured
Thickness	1,5 mm	2,1 mm	2,3 mm	1,4 mm	2,7 mm	5,1 mm
Material on running side	fabric	fabric	fabric	fabric	fabric	fabric
Antistatic	no	yes	no	yes	no	no
Resistant against oil and grease	yes	partly	yes	yes	yes	no
FDA-approved	no	no	yes	yes	no	no
Temperature range	-10°C bis +80°C	-10°C to +80°C	-25°C to +90°C	-25°C to +90°C	-10°C to +110°C	-10°C to +80°C
Minimum diameter of roller	30	30	30	30	30	60

Figure 3-5: Table on belt types

3.3 Motors

As a standard, our belt conveyors are equipped with three-phase AC motors and worm gears, protection class IP54. You can find dimensions and technical data of various standard motors below. Also special motors are available on request. Adjustment and maintenance of drive chains and clutches are described in section 4.

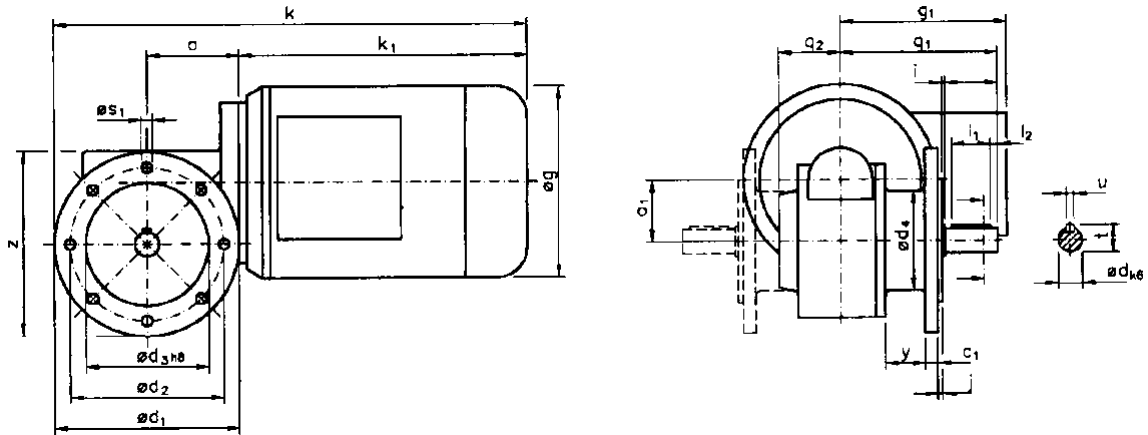
3.3.1 Geared motor, type SN3F:



Mounting dimensions							Outline dimensions										Shaft dimensions					
c ₁	ød ₁	ød ₂	ød ₃	ød ₄	j	øS ₁	g	g ₁	k	k ₁	o	o ₁	q	q ₁	y	z	ød	l	l ₁	l ₂	t	u
10	120	100	80	52	3	M6	125	108	235	187	41,5	33	99	35	30	74	14	30,0	20	5	16,0	5

Gearbox data						
Motor data	180 Watt, 1400 rpm, weight 6,1Kg, 0,7Amps with 380V, IP54					
Gearbox ratio	7 : 1	10 : 1	15 : 1	20 : 1	30 : 1	56 : 1
Gearbox speed	200 rpm	140 rpm	93 rpm	70 rpm	47 rpm	25 rpm
Effective torque	6,7 Nm	10 Nm	12 Nm	12 Nm	14 Nm	17 Nm
max. permissible torque	12 Nm	12 Nm	13 Nm	13 Nm	13 Nm	10 Nm

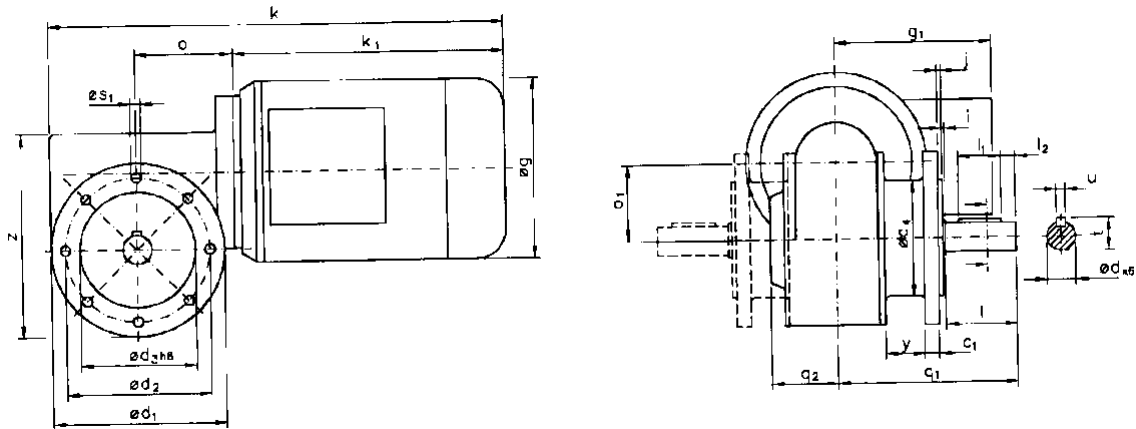
3.3.2 Geared motor, type SN9F:



Mounting dimensions							Outline dimensions							Shaft dimensions									
c ₁	ød ₁	ød ₂	ød ₃	ød ₄	j	øS ₁	g	g ₁	k	k ₁	o	o ₁	q	q ₁	y	z	ød	i	l	l ₁	l ₂	t	u
8	120	100	80	65	3	7	140	114	327	207	60	40	102	40	25	121	16	1	35	25	5	18	5

Gearbox data						
Motor data	370 Watt, 1400 rpm, weight 9,2Kg, 1,2Amps with 380V, IP54					
Gearbox ratio	7 : 1	10 : 1	15 : 1	20 : 1	30 : 1	50 : 1
Gearbox speed	207 rpm	140 rpm	93 rpm	70 rpm	47 rpm	28 rpm
Effective torque	14 Nm	20 Nm	27 Nm	29 Nm	36 Nm	48 Nm
max. permissible torque	30 Nm	30 Nm	28 Nm	29 Nm	30 Nm	27 Nm

3.3.3 Geared motor, type SN8F:



Mounting dimensions							Outline dimensions										Shaft dimensions								
c ₁	ød ₁	ød ₂	ød ₃	ød ₄	j	øS ₁			g	g ₁	k	k ₁	o	o ₁	q	q ₁	y	z	ød	i	l	l ₁	l ₂	t	u
10	120	100	80	80	3	7			140	114	334	207	67	53	124	46	25	141	20	1	50	30	10	22,5	6

Gearbox data	
Motor data	550 Watt, 1400 rpm, weight 10,7Kg, 1,6Amps with 380V, IP54
Gearbox ratio	7 : 1 10 : 1 15 : 1 21 : 1 30 : 1 50 : 1
Gearbox speed	210 rpm 145 rpm 93 rpm 67 rpm 47 rpm 28 rpm
Effective torque	21 Nm 28 Nm 41 Nm 50 Nm 56 Nm 60 Nm
max. permissible torque	56 Nm 57 Nm 60 Nm 57 Nm 59 Nm 51 Nm

3.4 Electrical equipment

All our electrical equipment must only be exposed to liquids or dust within the regulations applicable to their protection type classification. Any contact to liquids or dust surpassing these limitations must be avoided.

3.4.1 Frequency converter

All of our belt conveyors – provided a regulated belt speed is required – can be equipped with a frequency converter which controls a robust three-phase AC motor.

The converter GB-FU 180 is used with all motors up to 180 W. Motors with a power between 180 and 370 W are equipped with the converter GB-FU 370. Motors of higher performance than 370 W are fitted with a specially adapted frequency converter.

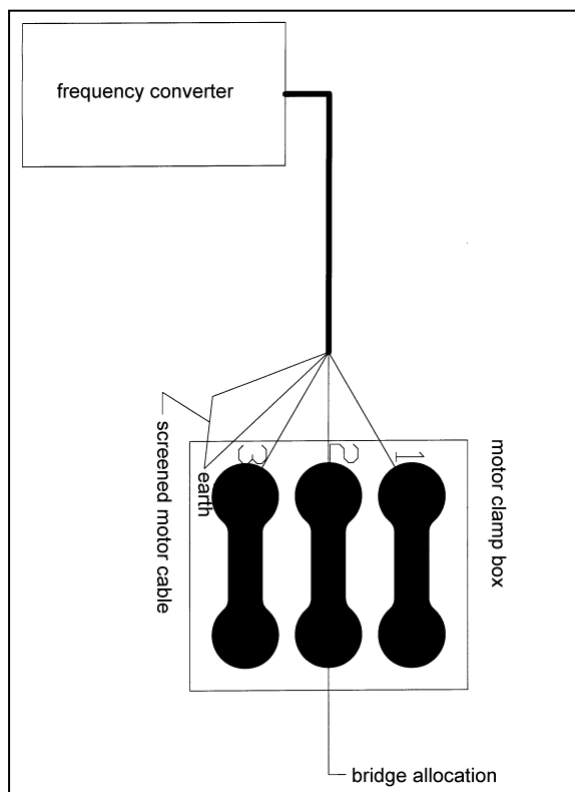


Figure 3-7: Connection of frequency converter to motor

Additionally the frequency converter incorporates a stop switch in form of a red push button for fast cut off in case of an emergency. After the drop or loss of current the conveyor also doesn't restart by itself. A dedicated start button has to be pushed.



Figure 3-6: Frequency converter

All frequency converters are digital units which can be individually programmed. Each frequency converter also provides a motor overload protection. Thus a destruction of the motor by a jammed belt conveyor through mechanical faults is virtually impossible. In this case, the frequency converter cuts-off the current supply. Frequency converters are connected to 230V 50Hz AC. These units have a separate operating manual which will be provided with each delivery.

3.4.2 Motor overload switch

All of our belt conveyors – provided a constant belt speed is required – can be equipped with a motor overload switch which controls a robust three-phase AC motor.

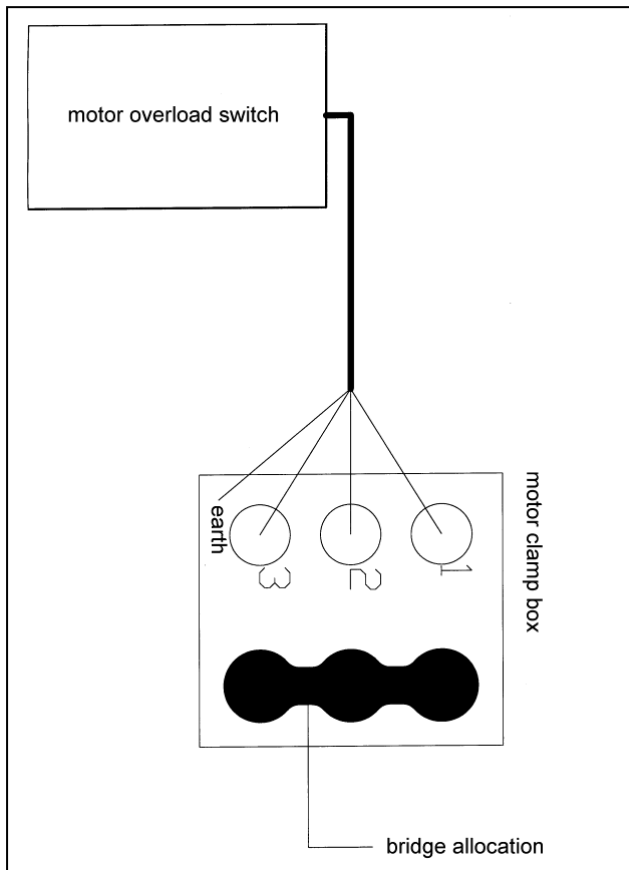


Figure 3-9: Connection of overload switch to motor



Figure 3-8: Motor overload switch

The motor overload switch protects the motor from overload. Thus a destruction of the motor by a jammed conveyor belt through mechanical faults is virtually impossible. In this case, the motor overload switch cuts-off the current supply. In addition, the motor overload switch is equipped with an emergency-stop-switch designed as a snap-switch providing a quick shut-down of the belt conveyor. The motor overload switch is connected to 380V 50Hz three-phase current.

3.4.3 Emergency-stop-switch

In addition, all belt conveyors can be equipped with one or more mushroom shaped emergency-stop-switches.

The emergency-stop-switch is connected in series between power source and conveyor belt, so that actuating one of the switches shuts down the complete belt conveyor.

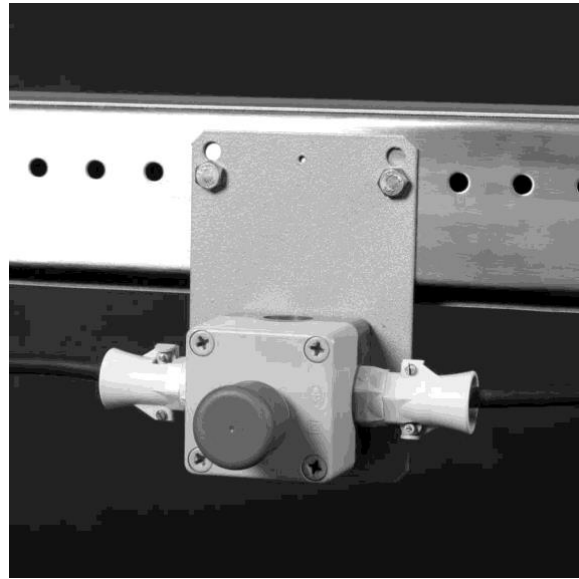


Figure 3-10: Emergency-stop-switch

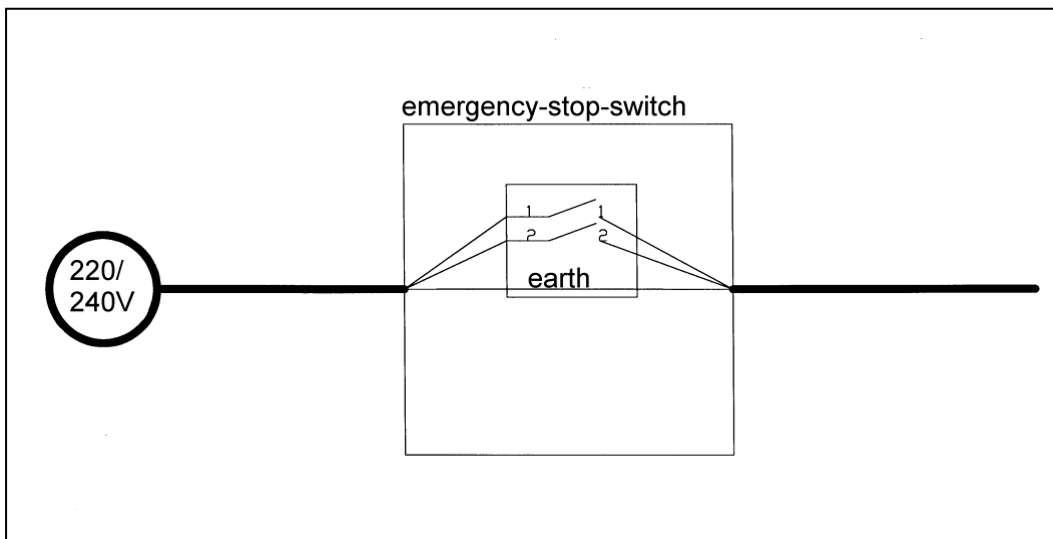


Figure 3-11: Connection of emergency-stop-switch to 230V 50Hz

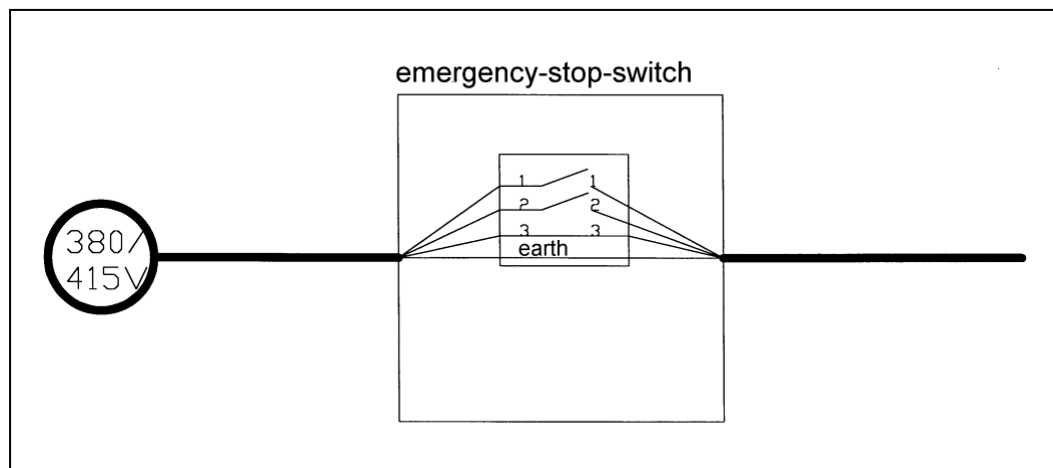


Figure 3-12: Connection of emergency-stop-switch to 380V 50Hz

4 Adjustments

Whenever adjustments are carried out, it has to be made sure that all covers or holders that had to be removed are reinstalled after the service and before the conveyors are used again.

4.1 Drives

4.1.1 Drive underneath the belt

If the drive motor is installed below the conveyor belt, correct tensioning of the drive chain must be ensured. The chain should be slightly greased.

For adjustment of drive chain, first remove the chain cover (A) from the motor support plate (B) as shown in the opposite figure. Remove the screws (C).

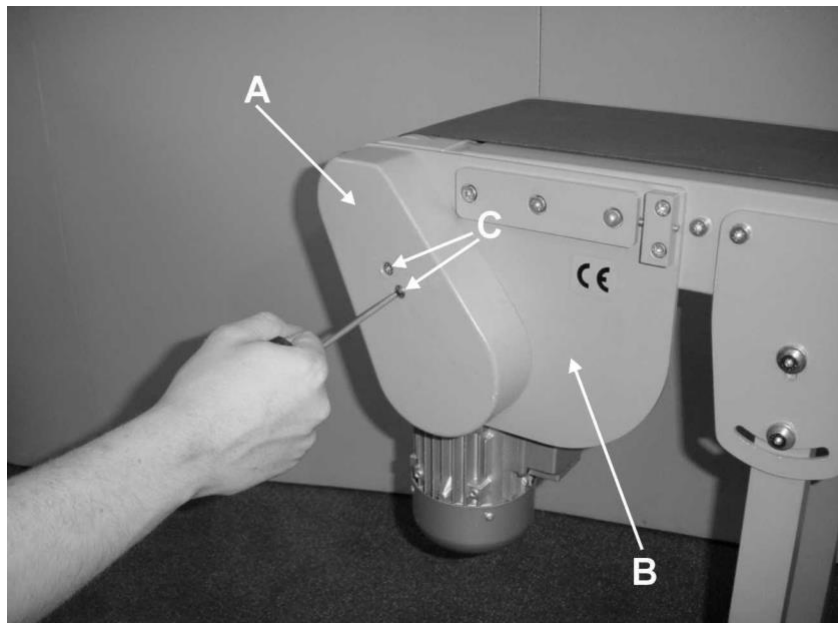


Figure 4-1: Removal of chain cover

Then, as shown in the opposite figure, the slack of the chain (A) can be adjusted. At first undo the fixing screws (B). Then the motor plate (C) can be moved by turning the adjustment screw (D).

If the belt alignment is regulated by a movement of Head unit (E), as described in chapter 4.2.2, the slack of the chain will be changed again. To avoid this, the adjustment of the belt alignment should be achieved by a regulation on the other three head units of the conveyor.

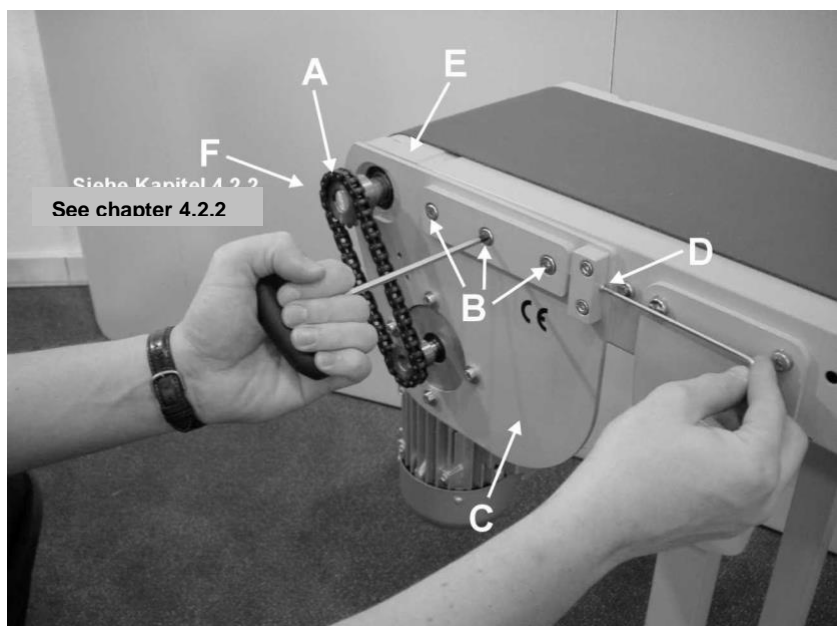


Figure 4-2: Adjustment of chain slack

The slack of chain (A) should be 3 – 5 mm as shown in the opposite figure. After adjustment of the chain tension, retighten the fixing screws (C) firmly. Then check again whether the slack of chain (A) is within the given tolerance.

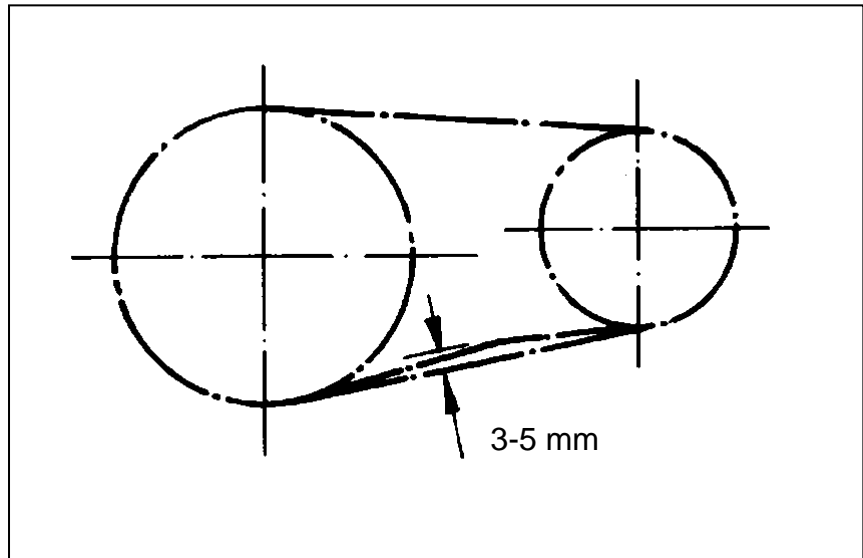


Figure 4-3: Normal chain slack

4.1.2 Side mounted drive

If the drive motor is installed at the side of the conveyor belt, a correct adjustment of the clutch must be ensured.

As shown in the opposite figure, the motor (A) must be removed by undoing the fixing screws (B) to be able to adjust the clutch.

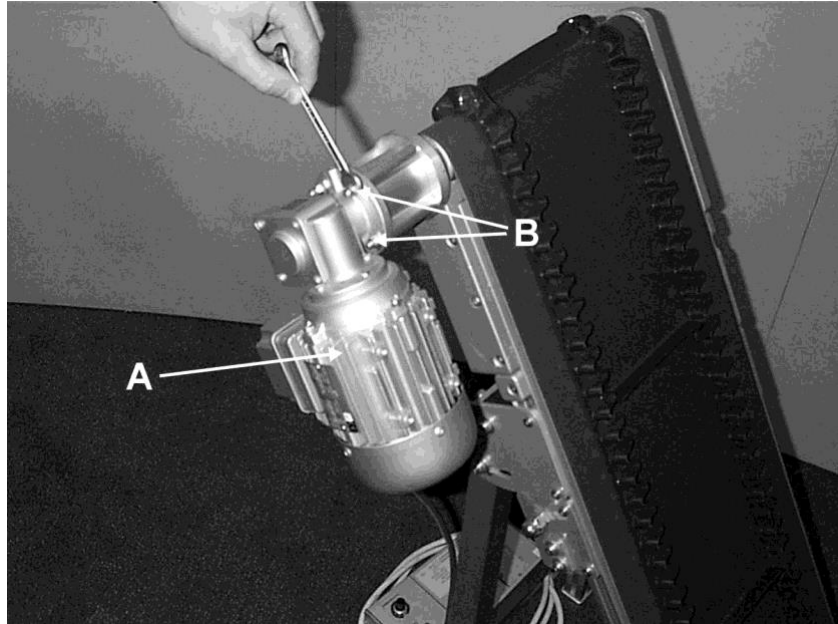


Figure 4-4: Dismounting side motor

If the clutch housing (E) is positioned between motor (A) and flange (F), then the distance between the clutch wheels (C) of the motor and the drive roller (D) must be approximately 15 mm, see the opposite figure. After adjustment of distance, the clutch sleeve (not shown in the figure) must be put on again on the clutch wheel (C) fitted to the drive roller (D). The fixing screws (B) must be retightened.

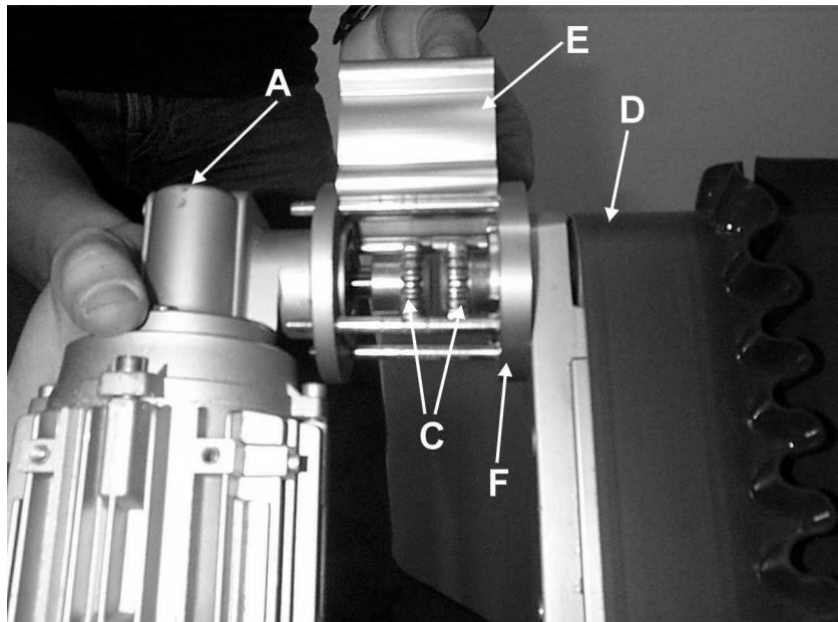


Figure 4-5: Adjustment of clutch play

If the motor is installed at the side of the conveyor belt, it can be mounted at 90° angular intervals around the flange, see the opposite figure.

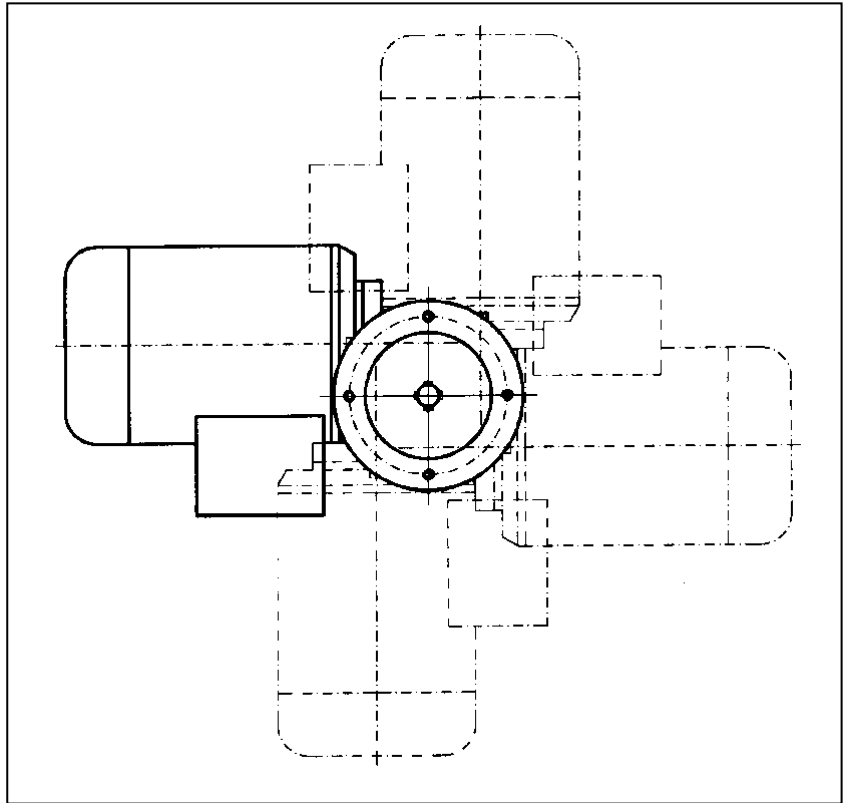


Figure 4-6: Rotated installation positions of the motor

4.2 Belt alignment

The belt reacts to a repositioning of the brackets holding the roller as it is shown in the opposite figure.

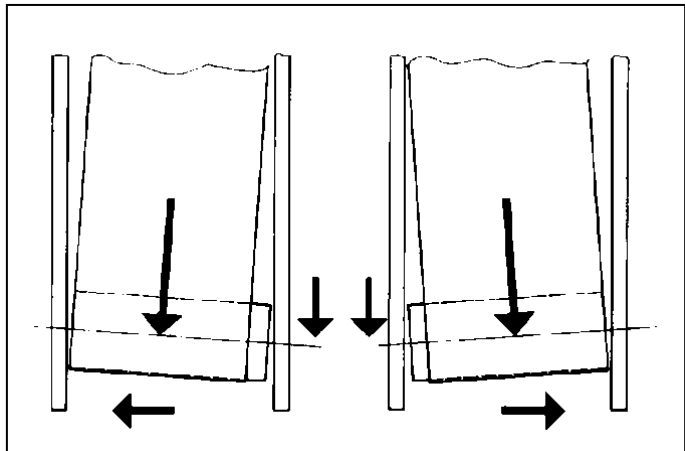


Figure 4-7: Belt reaction to different bracket positions

With longer belt conveyors, supporting rollers are used on the underside of the conveyor to hold the belt up on its way back. These rollers can also be used for tracking of the belt. The following figure shows the reaction of the belt tracking when the holding plates of the supporting rollers are shifted.

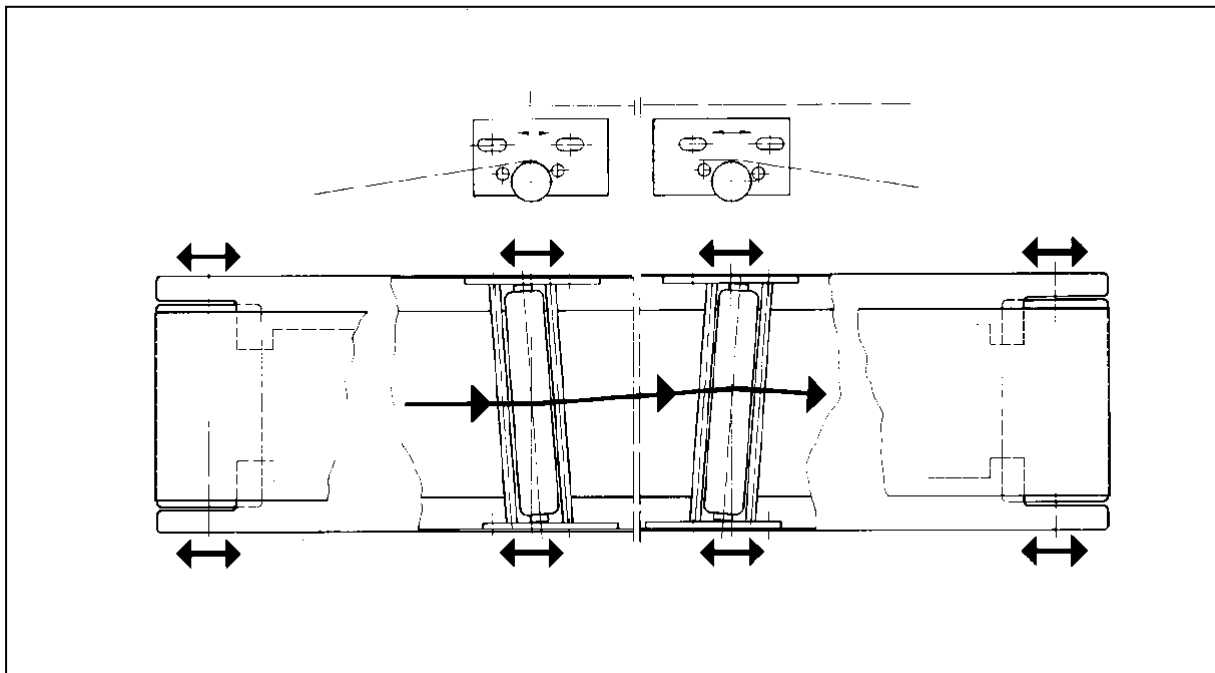


Figure 4-8: Tracking of belt using supporting rollers

Attention:

In the case of kinked belt conveyors, always adjust the course of the belt at the kink first, then follow with deflecting and drive rollers.

4.2.1 Deflecting roller:

To align the belt track on the deflecting roller, loosen slightly the fixing screws (A) of the head piece (B), see the opposite figure. The head unit (B) can then be moved in relation to the frame (C) by turning the adjustment screws (D).

If the whole length of the adjustment screw (D) has been used, the adjustment plate (E) can be set forward in paces of 15 mm in order to advance adjustment angle (F).

For this, the fixing screws (A) have to be loosened completely. The adjustment plate (E) can then be moved forward in relation to the frame (C). Adjustment angle (F) has to be put back in place. The length of adjustment screw (D) can then be used for final adjustment again. After adjustment, the fixing screws (A) must be firmly retightened.

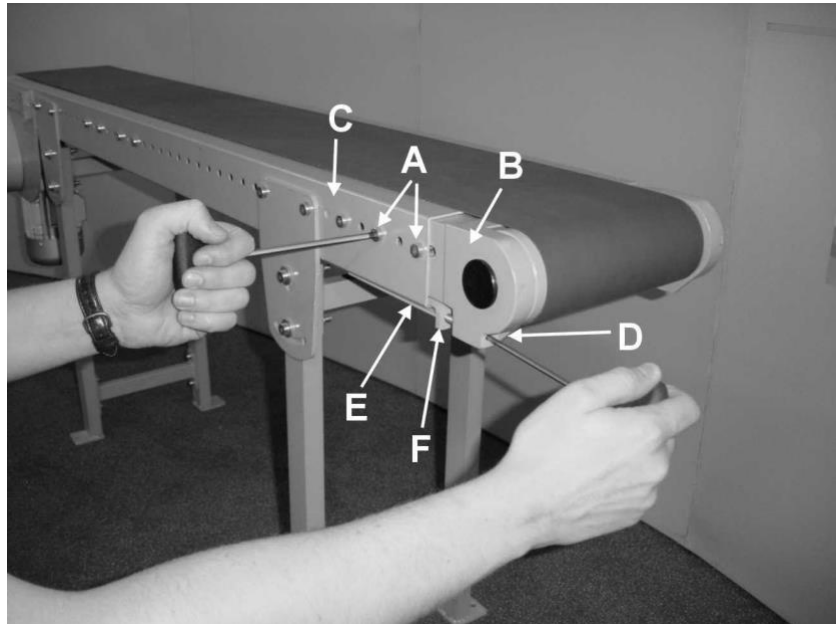


Figure 4-9: Belt alignment at deflecting roller

4.2.2 Driving roller:

To align the belt track on the driving or deflecting roller, loosen slightly the fixing screws (A) of the head piece (B), see the opposite figure. The head unit (B) can then be moved in relation to the frame (C) by turning the adjustment screws (D).

If the motor is mounted underneath the belt, the turning of adjustment screw (D) on head unit (B) causes a change of the slack in chain (E). Any adjustment on the belt alignment should therefore be achieved by movements of the other three head units of the conveyor.

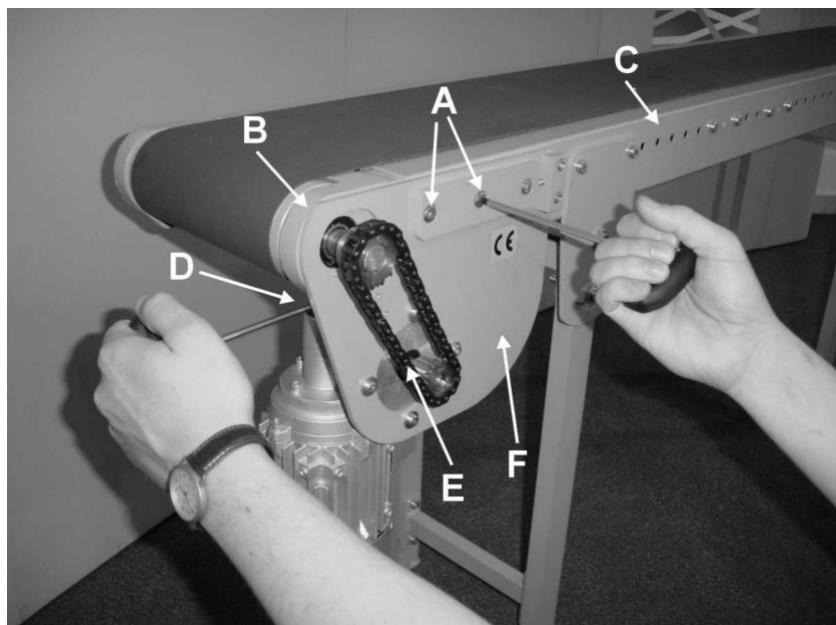


Figure 4-10: Belt alignment at driving roller

If an adjustment on the head unit (B) of the motor can not be avoided, the slack of the chain (E) has to be readjusted afterwards. For this refer to chapter 4.1. After adjustment, the fixing screws (A) must be firmly retightened.

4.2.3 Belt alignment at kink of GK-80-K/KW:

Attention:

In the case of kink conveyor belts, always adjust the track of the belt at the kink first, then follow with deflector and drive rollers.

Before the adjustment of the belt tracking, the axial distances of all frame segments of the belt conveyors left side must be identical with the distances on the right side. An example is shown in the opposite figure. If the distance between head unit (A) of the deflection roller and shaft centre of the kink roller (B) on the left side of the conveyor belt is 500mm, then the distance on the right side must also be 500mm.

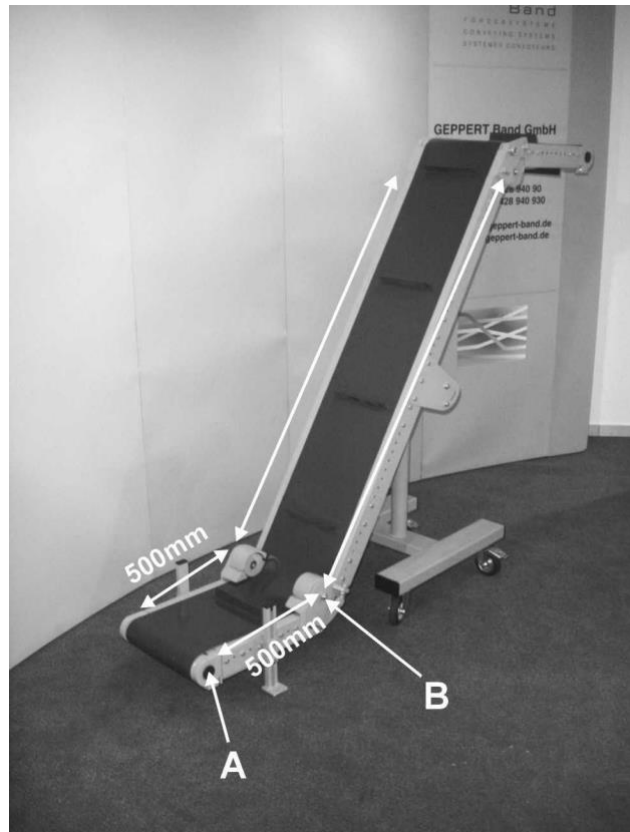


Figure 4-11: Axial distances on kinked belt conveyor

To align the belt in the area of the kink, the locking nut (C) of eyebolt (D) must be loosened, see the opposite figure. Through turning of adjustment nut (F), the position of kink roller (E) can then be changed. At first the belt must run centrally across the kink roller (E), then you can continue to align the belt on the driving or deflecting roller. Retighten the locking nut (C) firmly after adjustment.

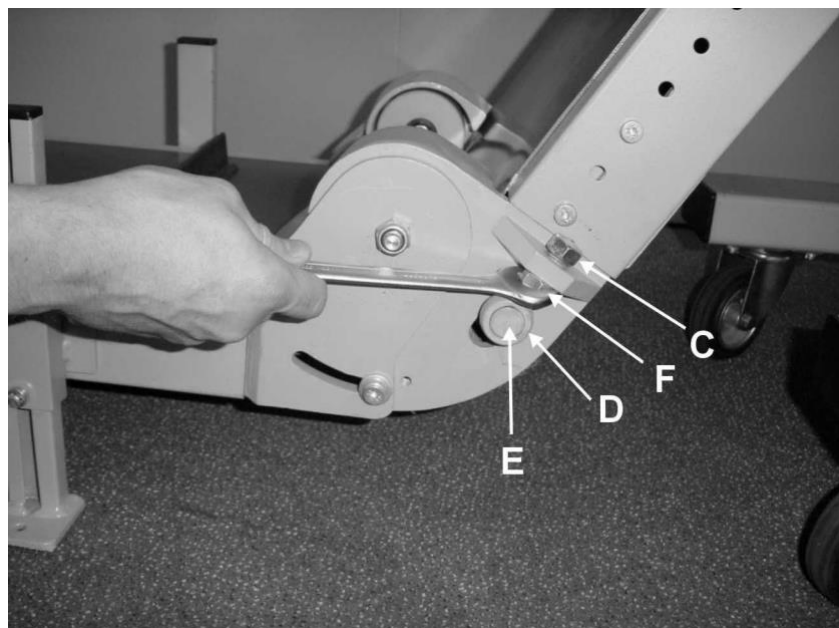


Figure 4-12: Belt alignment in the lower kink

4.2.4 Belt alignment at upper kink of GK-80-Z/ZW and of GF-80-S:

For the adjustment of the upper kink of Z-shaped conveyors, the same rules apply as for the adjustment of the lower kink.

Before the adjustment of the belt tracking in the upper kink, the axial distances of all frame segments of the belt conveyors left side must be identical with the distances on the right side. An example is shown in the opposite figure. If the distance between head unit (A) and the centre of kink roller (B) of the upper kink on the left side of the conveyor belt is 500mm, then the distance on the right side must also be 500mm.



Figure 4-13: Axial distances on Z-shaped belt conveyor

To align the belt in the area of the upper kink, the fixing screws (A) of the kink fittings (B) in the elevating part A2 must be loosened, see the opposite figure. Then the position of the kink roller (E) can be changed by turning the adjustment screw (F). At first the belt must run centrally across the kink roller (E) in the upper kink and, as described in the previous section, across the kink roller in the lower kink, then you can continue to align the belt on the drive or deflection roller. Retighten the fixing screws (A) firmly after adjustment.

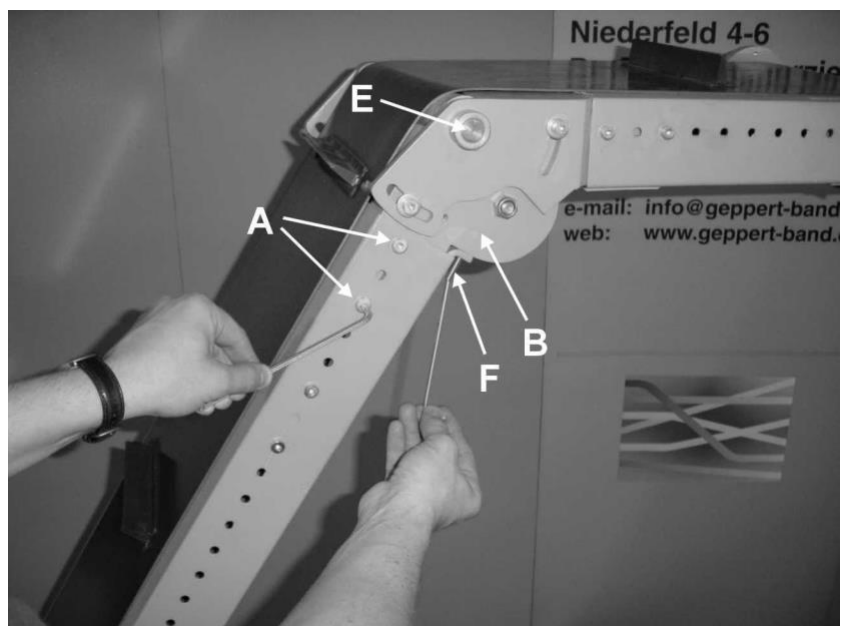


Figure 4-14: Belt alignment in upper kink

4.3 Supports

4.3.1 Protection against tip-over of flat belt conveyors

Conveyors that are equipped with supports designed for a bolted connection to the ground should always be secured by such a joint.

Some of our support models come with security casters with brakes. With these the conveyor can easily be used at different locations. But these supports are less stable than those without wheels. Therefore the transport of the conveyor to a new location using a ramp or going up an inclination has to be additionally secured, because the conveyor might tip over.

While the conveyor is in use the supports should always be oriented as much towards the ends of the conveyor as possible. For a distance of 400mm between the end of the conveyor and the centre of the support (distance a) the following diagram shows the maximum weight admitted on the conveyor end for a known width and length of the conveyor.

Maximum weight at end of belt for GF-80 with supports on wheels

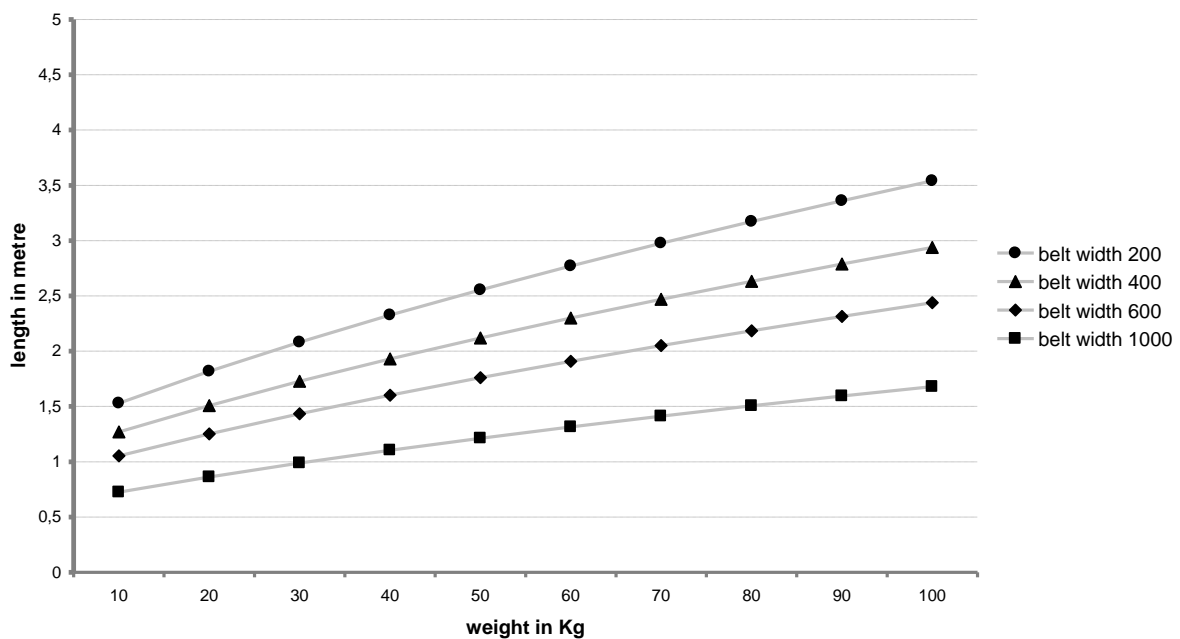


Figure 4-15: Maximum weight at end of conveyor with supports on wheels

4.3.2 Two-legged aluminium support

The aluminium double upright is continuously adjustable in height. At first the fixing screws (A) of the cross bar (B) must be loosened, see the opposite figure. Then the upright insert (C) can be pulled out of the tube (D). The standard adjustment range is 200mm. After adjustment, retighten firmly the two fixing screws (A).

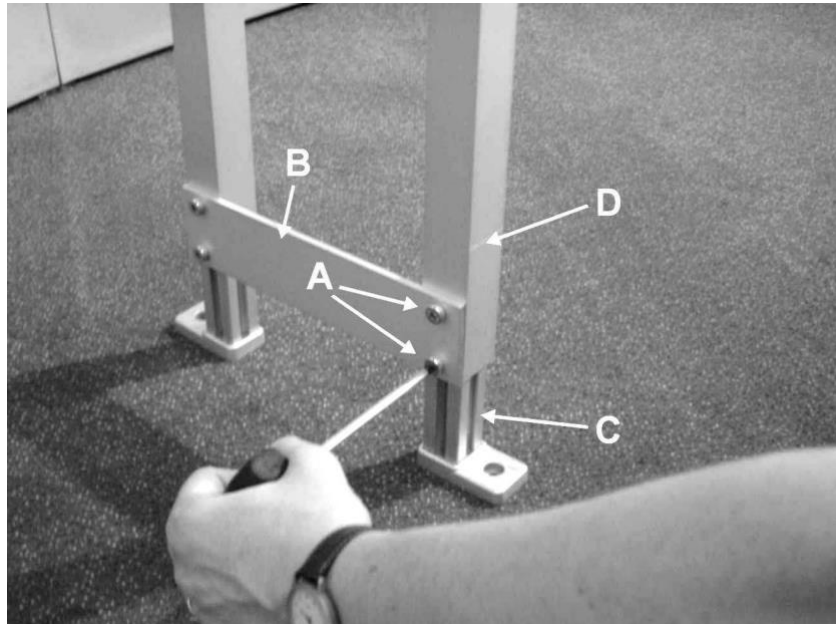


Figure 4-16: Two-legged aluminium support, height adjustment

The aluminium double upright can also be continuously adjusted in its inclination. At first the fixing screws (A) must be loosened on the upright plate (B), like in the opposite figure. Then the head of the upright can be pivoted in the guidance (C) of the plates (B) from $+30^\circ$ up to -30° . In vertical position, the head of the upright snaps into the lock-in position (D) and is consequently secured against unintended pivoting. The aluminium double upright is also available with plates as a pivoting version ranging from horizontal up to vertical position.

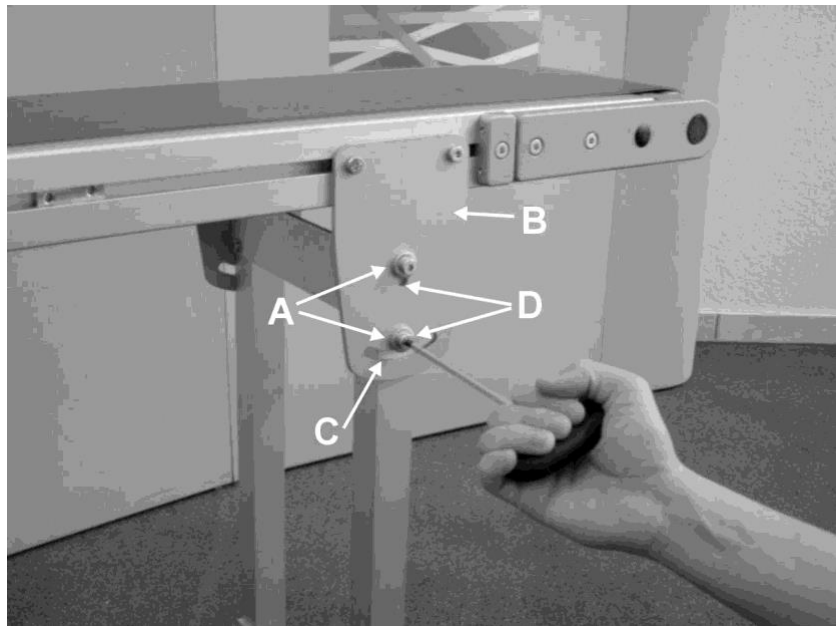


Figure 4-17: Two-legged aluminium support, inclination adjustment

4.3.3 Two-legged aluminium support, short version

A shortened variant of the aluminium double upright is equipped with fixed castors. It is also height-adjustable as described in section 4.3.2, however, the adjustment range is only 50 mm and is intended to level out ground irregularities. The adjustment of inclination is the same as described in section 4.3.2.

4.3.4 Two-legged steel support

The steel double upright can be continuously adjusted in height. At first the fixing screws (A) of the cross bar (B) must be loosened, as shown in the opposite figure. Then the insert (C) can be pulled out of the upright tube (D). An adjustment range of 200mm is available as a standard. After adjustment, the two fixing screws (A) must be firmly retightened.

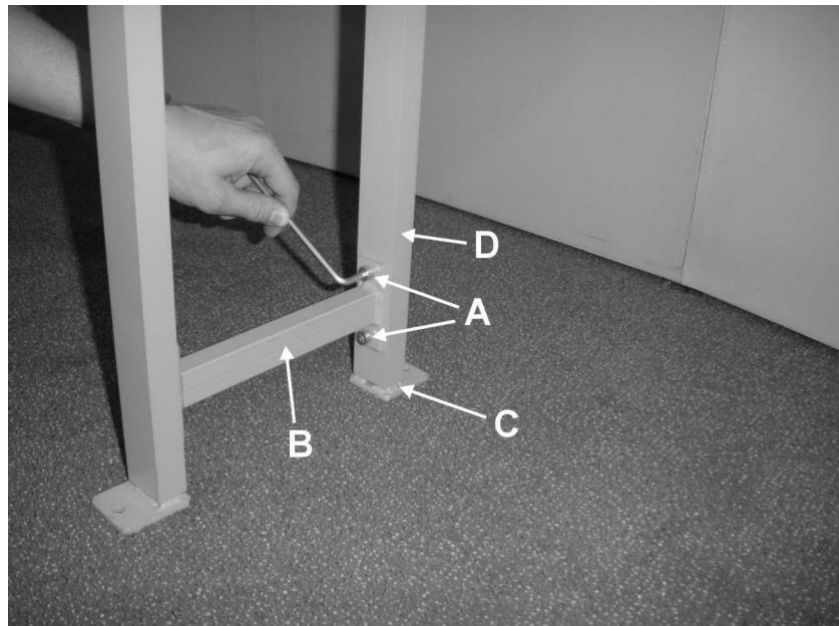


Figure 4-18: Two-legged steel support, height adjustment

The steel double upright can also be continuously adjusted in its inclination. At first the fixing screws (A) must be loosened on the upright plate (B), like in the opposite figure. Then the head of the upright can be pivoted in the guides (C) of the plates (B) from +30° up to -30°. In vertical position, the head of the upright snaps into the lock-in position (D) and is consequently secured against unintended pivoting. The steel double upright is also available with plates as a pivoting version ranging from horizontal up to vertical position.

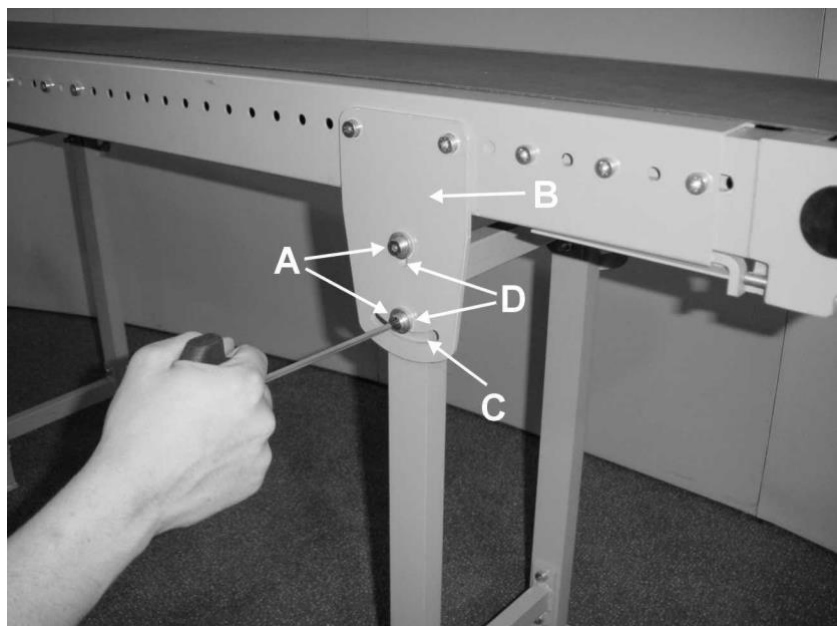


Figure 4-19: Two-legged steel support, inclination adjustment

4.3.5 Two-legged steel support, short version

A shortened variant of the steel double upright is equipped with fixed castors. It is also height-adjustable as described in section 4.3.4, however, the adjustment range is only 50 mm and is intended to level out ground irregularities. The adjustment of inclination is the same as described in section 4.3.4.

4.3.6 Short steel support held from side

To adjust the height of a short steel support held from the side, first loosen the fixing screws (A) on the side plate (B), like in the opposite figure. Then the short support (C) can be adjusted within the guide (B). After adjustment, retighten the two fixing screws (A) firmly.

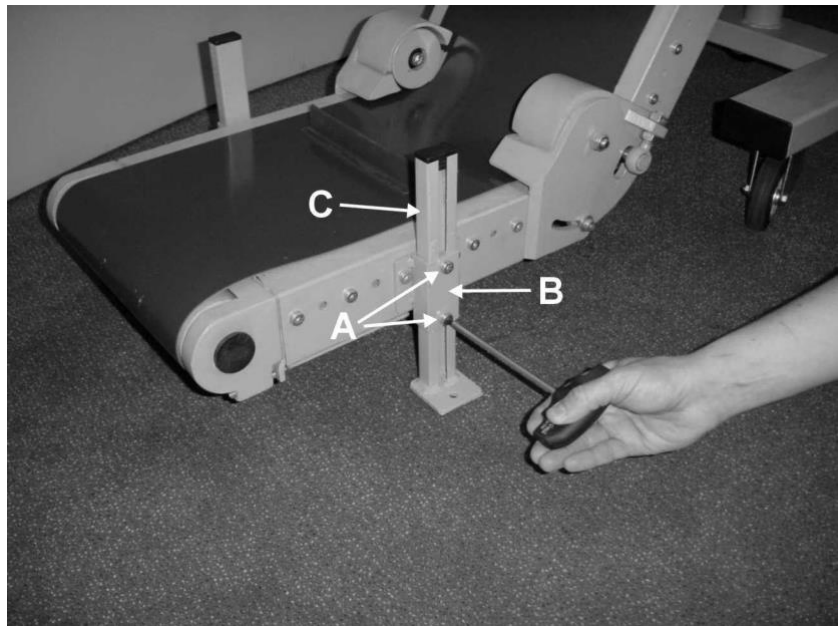


Figure 4-20: Short steel support held from side, height adjustment

4.3.7 Two-legged stainless steel support

The two-legged stainless steel support provides the same adjustment features as the two-legged steel support. It also exists in the same variants, i.e. the short version with fixed casters and the short version held from the side.

4.3.8 Single-legged steel support with aluminium base plate

The single-legged steel support with aluminium base plate can be continuously adjusted in height. First loosen the fixing screw (A) on the adjustment ring (B), see the opposite figure. The forked pipe (C) can then be pulled out of the standpipe (D). The adjustment range is 200mm. After adjustment, retighten the fixing screw (A) firmly.

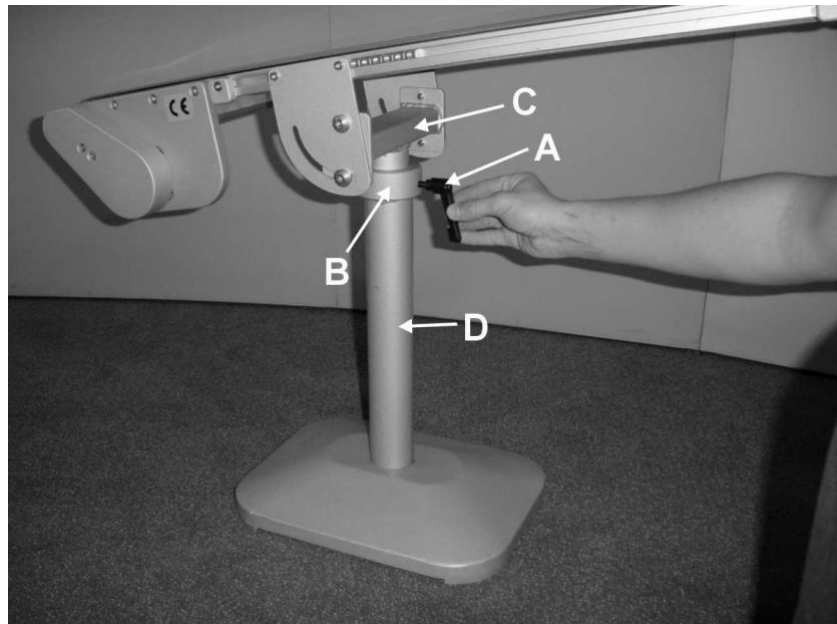


Figure 4-21: Single-legged steel support with aluminium base plate, height adjustment

The single upright made of steel can also be continuously adjusted in its inclination. At first the fixing screws (A) must be loosened on the upright plate (B), like in the opposite figure. Then the head of the upright can be pivoted in the guides (C) of the plates (B) from horizontal to vertical position.



Figure 4-22: Single-legged steel support with aluminium base plate, inclination adjustment

4.3.9 Steel H-shaped single-legged support

The steel H-shaped single-legged support provides the same adjustment features as the steel single upright with aluminium base plate.

4.3.10 Steel H-shaped single-legged support with castors

The steel H-shaped single-legged support with castors provides the same adjustment features as the H-single upright made of steel. In addition, it is equipped with Total-Stop-Safety castors as shown in the opposite figure. When the brake is actuated, the upright is secured against unintentional movement.

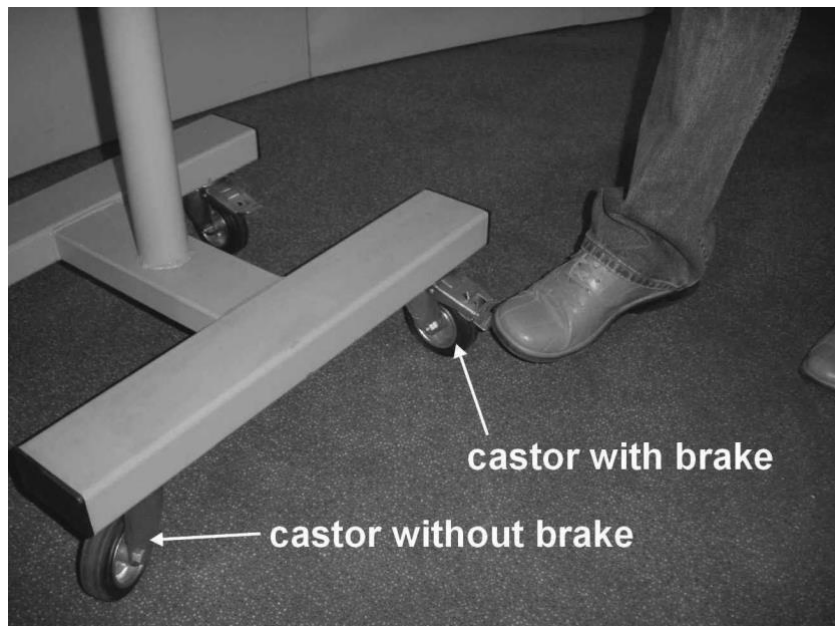


Figure 4-23: Steel H-shaped single-legged support, brake

4.3.11 Stainless steel H-shaped single-legged support

The stainless steel H-shaped single-legged support provides the same adjustment features as its steel version described under 4.3.9.

4.3.12 Stainless steel H-shaped single-legged support with castors

The stainless steel H-shaped single-legged support with castors provides the same adjustment features as its steel version described under 4.3.10.

4.4 Kinks

The kink angle of all our conveyor belts can be adjusted between 40° and 60° from horizontal position. The adjustment of angles lower than 40° is not recommended, because this would have negative effects on the belt track. Before making any angle adjustment on one of our kinked conveyor belts, the belt must be slackened by loosening the deflection roller as described in section 4.2. After each change, the belt must be realigned as described in section 4.2.

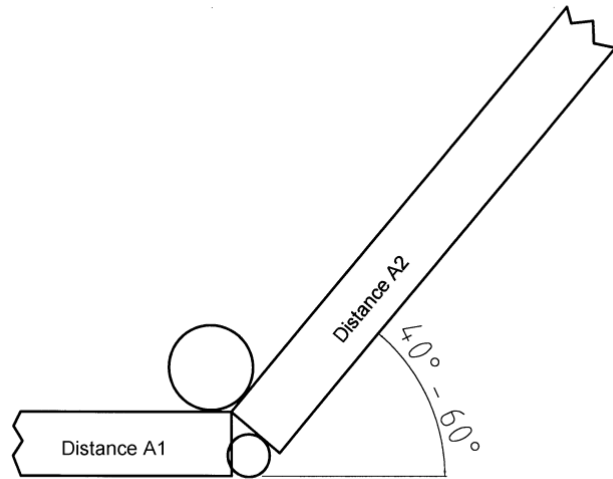


Figure 4-24: Adjustable kink, angle range

To adjust the angle of the kink in the GK-80-K/KW, or of the lower kink in the GK-80-Z/ZW, the fixing screw (A) on the kink fitting (B) must be loosened, see the opposite figure. The angle of the kink can then be changed. After adjustment of the kink angle, the fixing screw (A) must be firmly retightened.

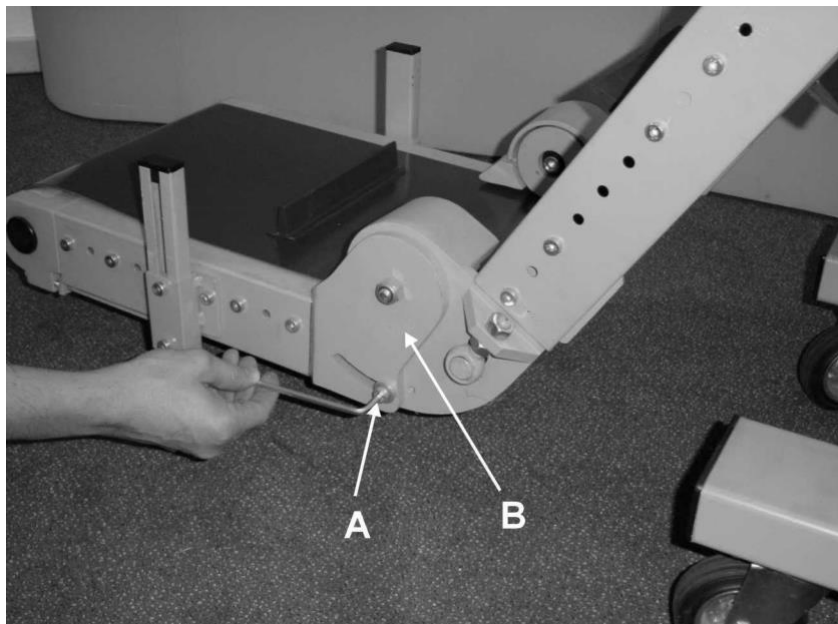


Figure 4-25: Adjustment of kink angle

To adjust the angle of the upper kink in the GK-80-Z/ZW, the fixing screw (A) on the kink fitting (B) must be loosened, see the opposite figure.

The angle of the kink can then be changed. After adjustment of the kink angle, the fixing screw (A) must be firmly retightened.

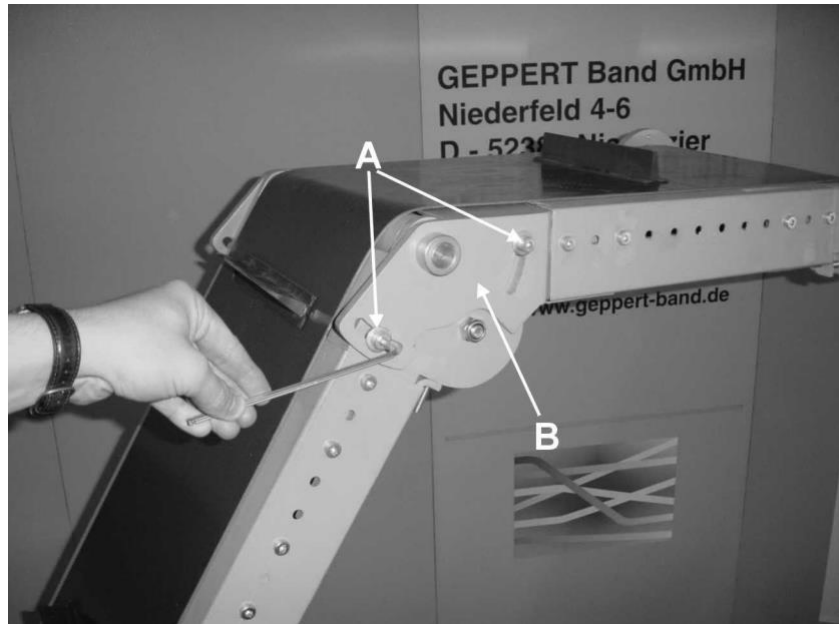
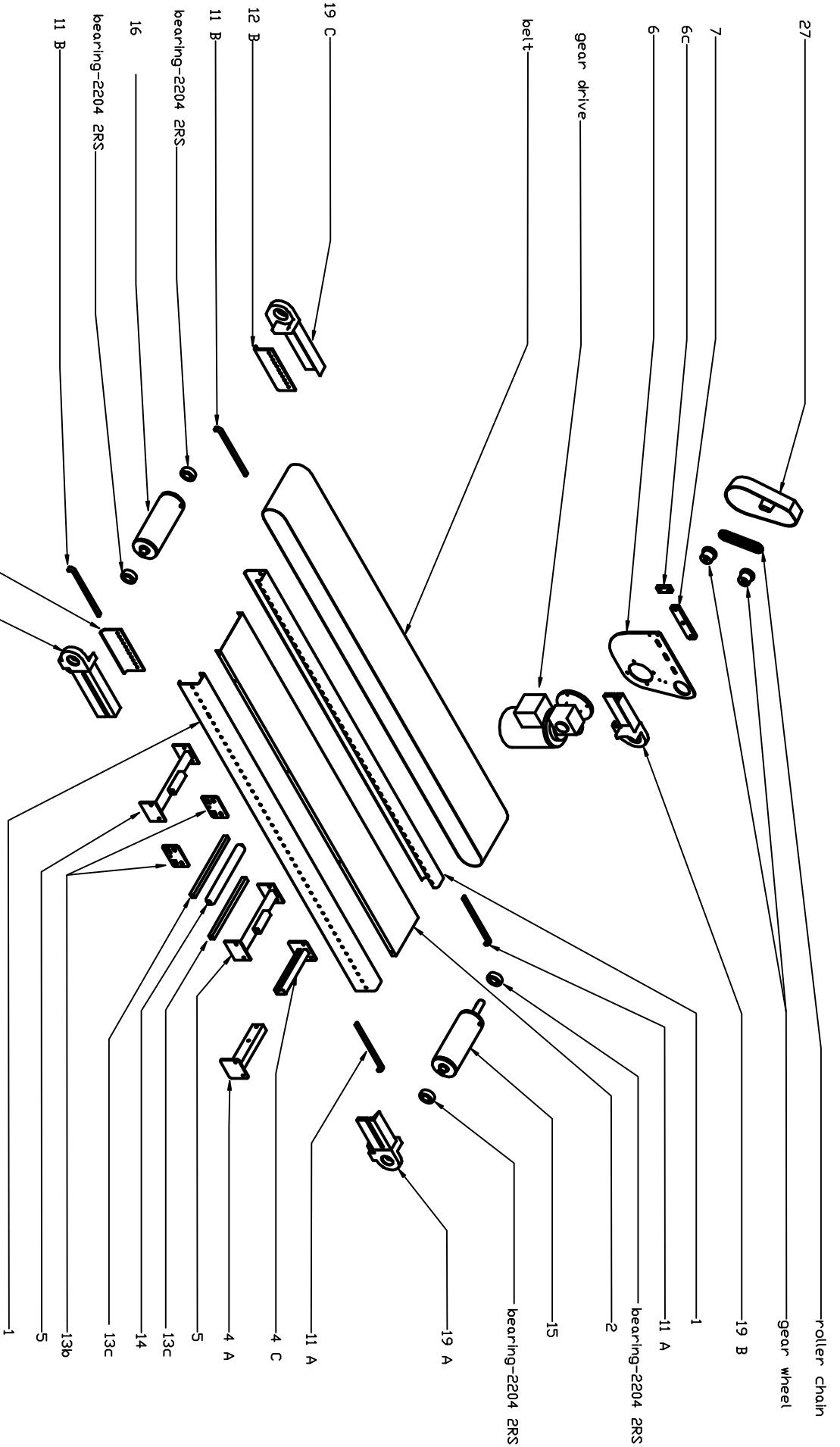


Figure 4-26: Adjustment of kink angle in upper kink

5 Spare parts

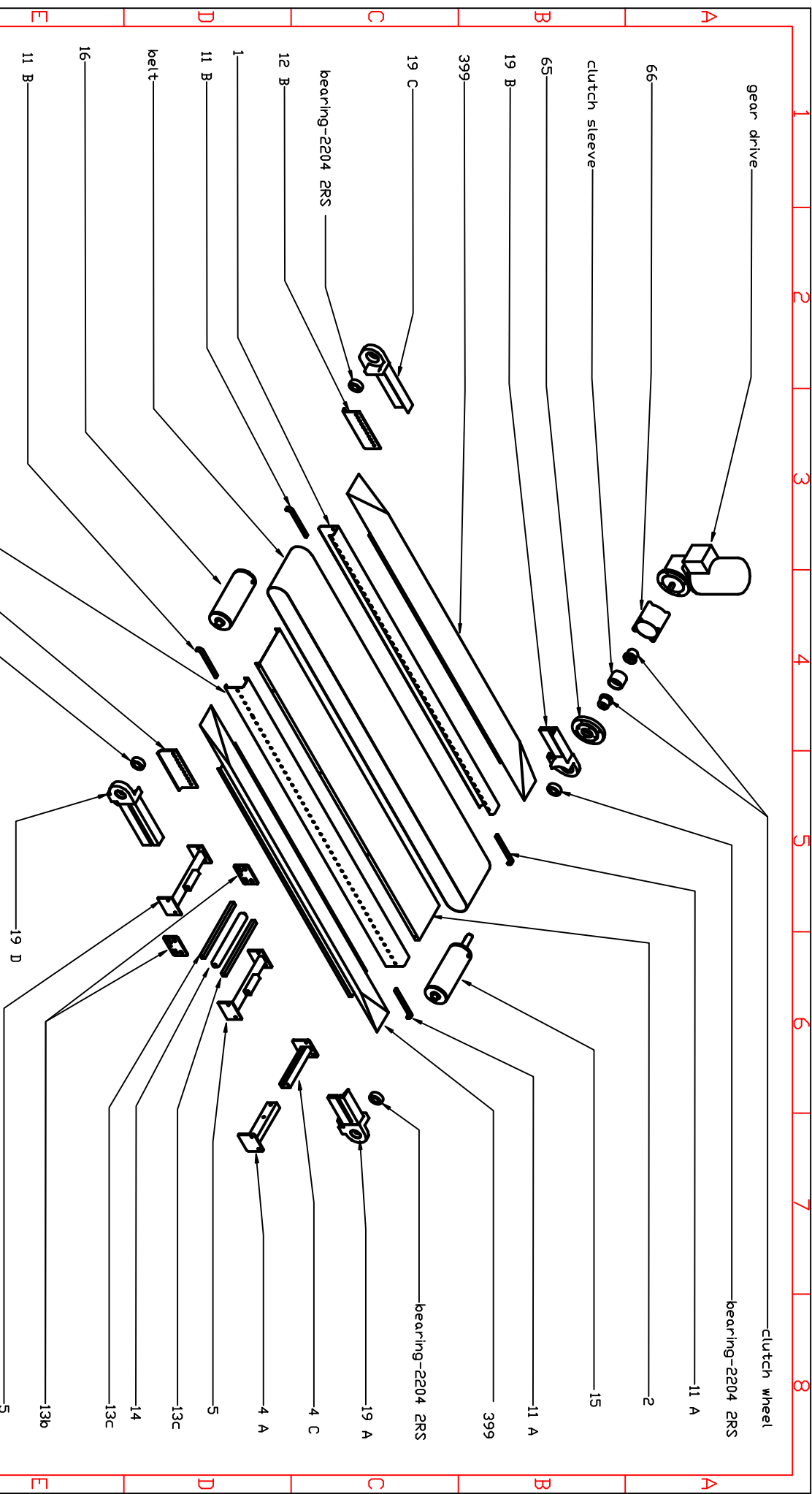
All components of the belt conveyor GF-80, GF-80-Magnet, GF-80-M, GK-80, GK-80-K/KW, GF-80-S and GK-80-Z/ZW are shown in the following exploded views. Any part on your conveyor, that is not shown in these views, is a specially adapted part. We keep a full record of all special parts in our production files. Please contact us directly if you need any help on one of these parts.



Allgemein- toleranzen DIN 7168-m		Oberrichtmaßstab 1:1	Position	Menge
Bearb./07.11.2005	Name Neessen		-	-
Gepr./07.11.2005	Norm Hoeps		-	-
<p>GF-80 pulling underneath the belt</p>				
<p>Z-Nr.: 1008 B</p>				
Blatt				
07.11.2005				

Geppert-Band GmbH
 Tel: 05439 / 940 90
 Fax: 05438 / 940930

Zust./Änderungen Datum Name Datum Name Datum Name

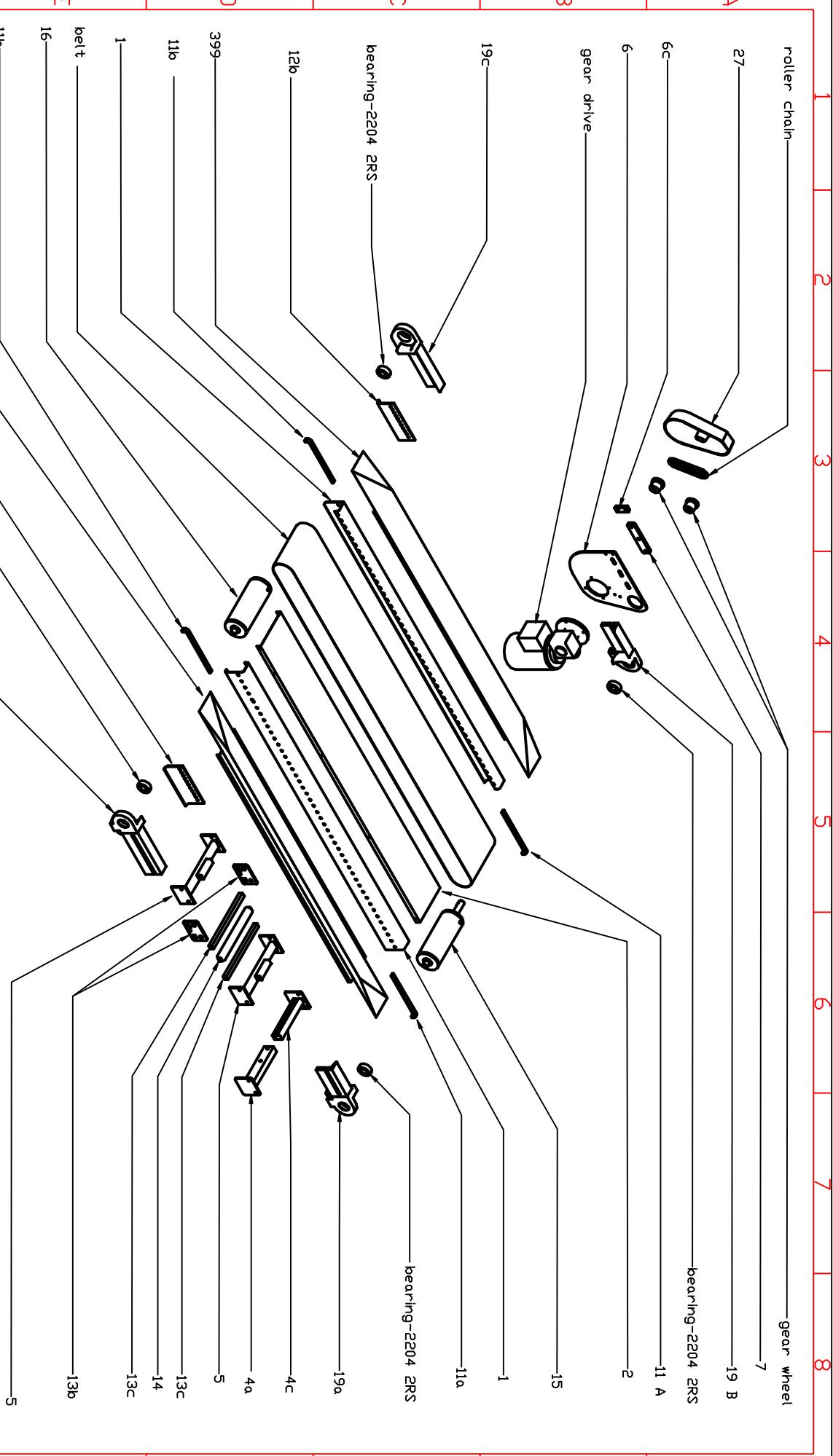


Allgemein- toleranzen DIN 7168-m		Oberflächengraben		Position	Menge
Bearb.	Datum	Name		-	-
07/11/2005		Meessen			
Gepr.	Datum	Name			
07/11/2005		Hoeps			
Norm					

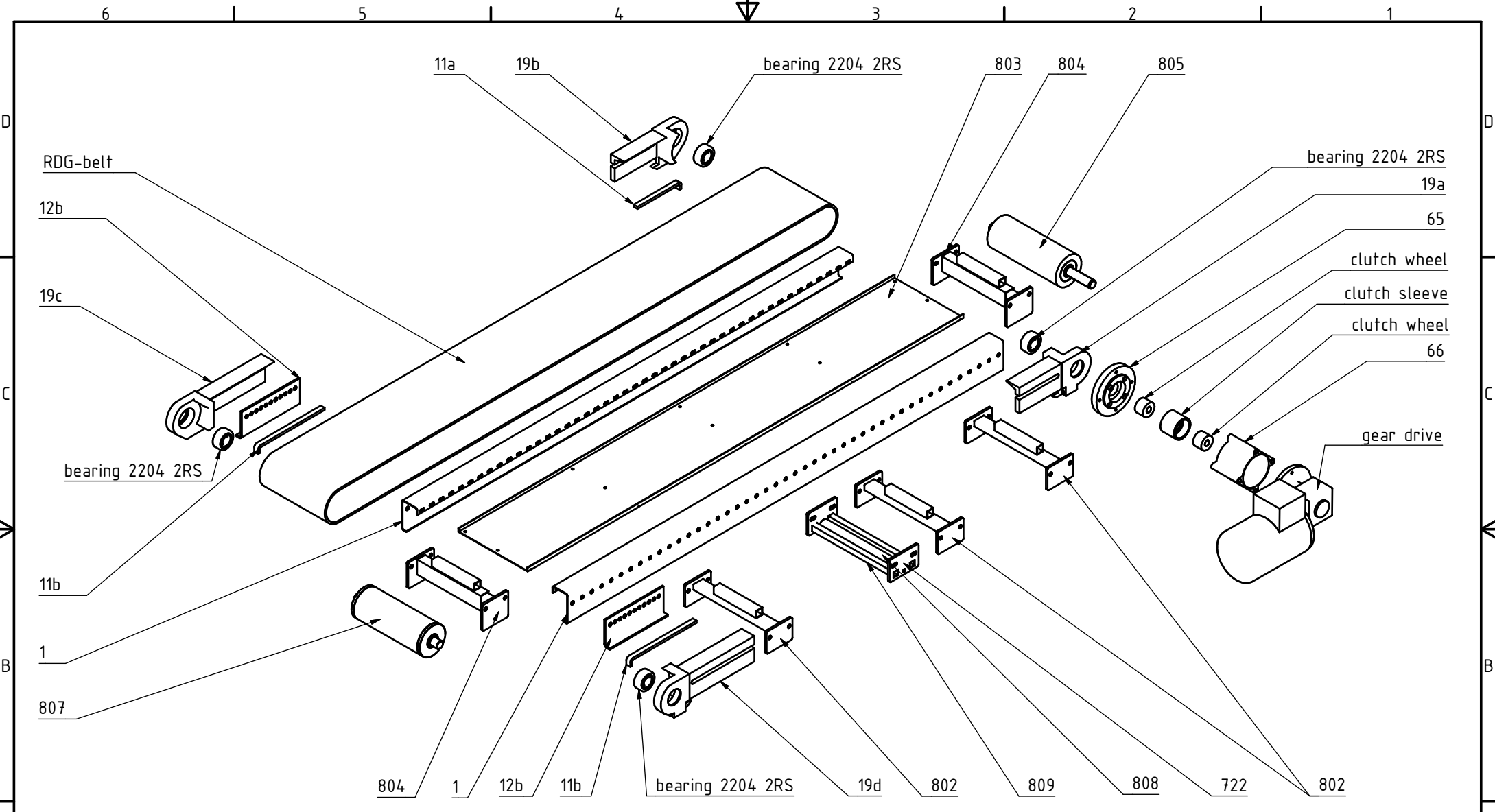
Zuständerungen		Datum	Name	Datum	Name

Geppert-Band GmbH Tel: 05429 / 940 90 Fax: 05428 / 940930		GF-80-M pulling at the side Z-Nr.: 1008 C	Blatt
			-
			BR

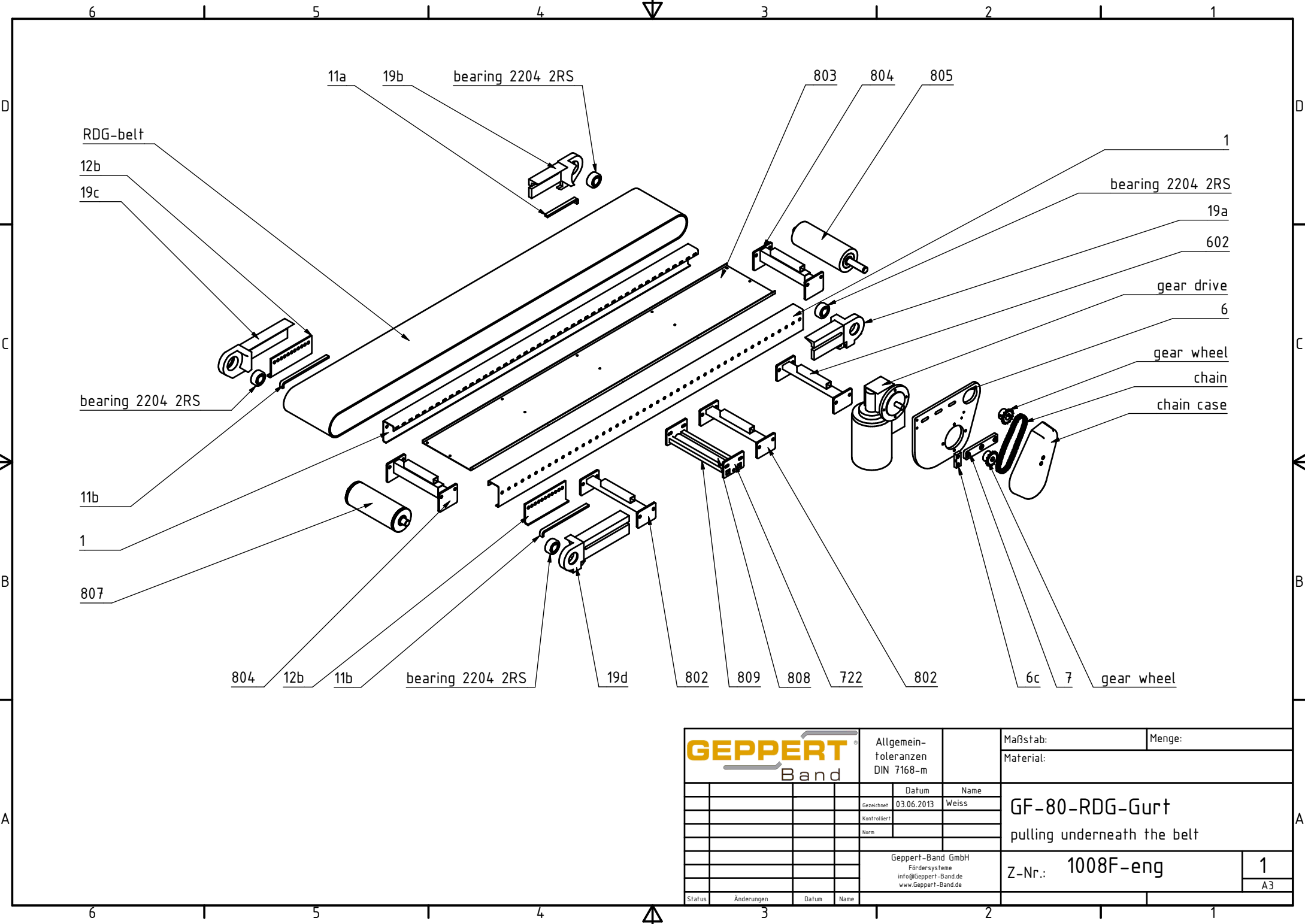
07/11/2005	
------------	--



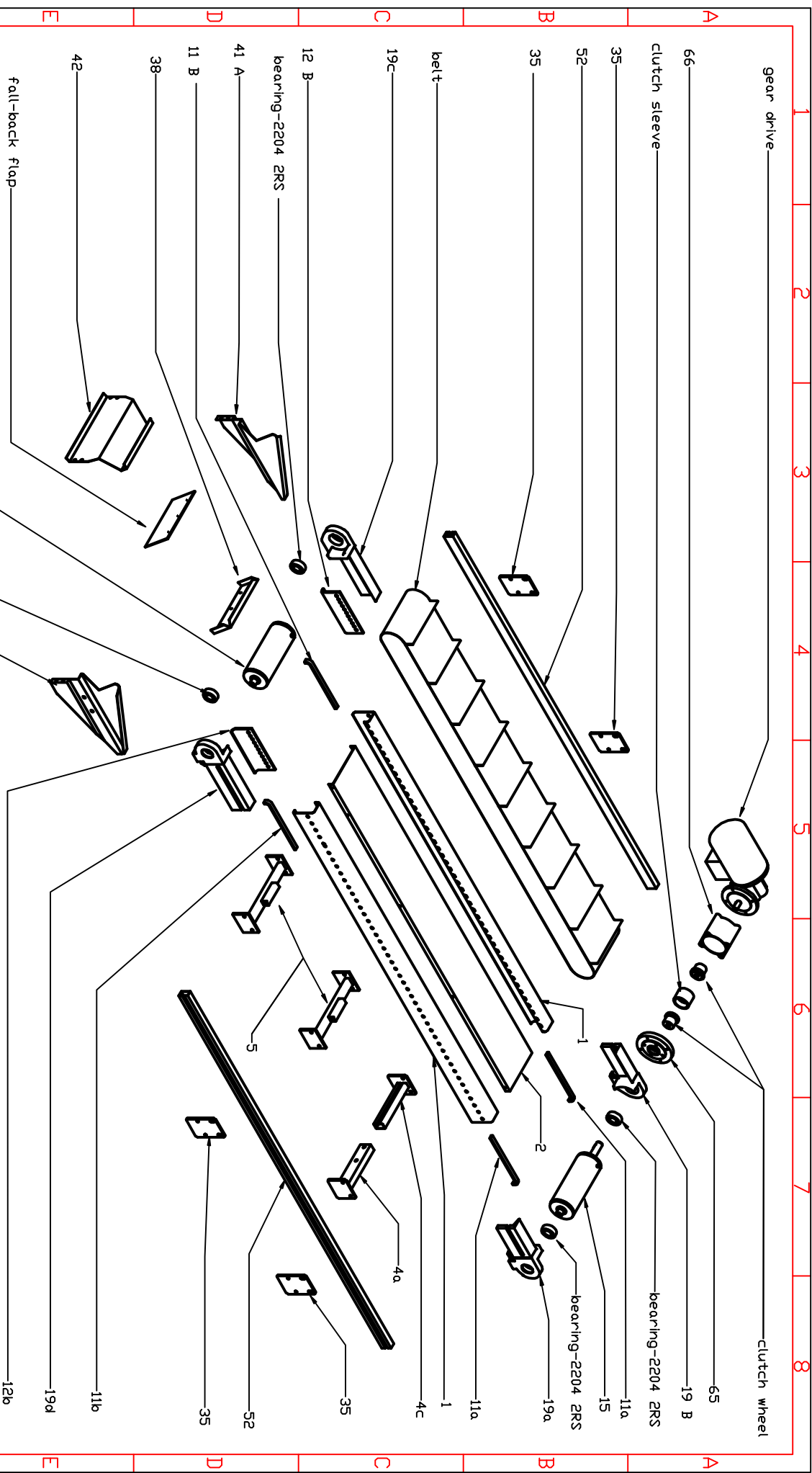
Allgemein-toleranzen DIN 7168-m			Oberflächengröße		Position	Menge
Bezeichnung	Datum	Name	Größe	Größe		
Bezeichnung	07.11.2005	Meessen	-	-		
Gepr. Norm	07.11.2005	Hoeps	-	-		
GF-80-M pulling underneath the belt						
Z-Nr.: 1008 D						
Geppert-Band GmbH Tel: 05428 / 940 90 Fax: 05428 / 940930						Blatt
Zust./Änderungen						BR
Datum Name Datum Name Datum Name						07.11.2005



		Allgemeintoleranzen DIN 7168-m		Maßstab:	Menge:
				Material:	
		Datum	Name	GF-80-RDG-Gurt pulling at the side	
		29.05.2013	Weiss		
		Kontr.:			
		Norm		Z-Nr.: 1008E-eng	
		Geppert-Band GmbH Fördersysteme info@geppert-band.de www.geppert-band.de			
Status	Änderungen	Datum	Name	1 A3	



GEPPERT Band		Allgemein-toleranzen DIN 7168-m		Maßstab:	Menge:
				Material:	
	Datum	Name		GF-80-RDG-Gurt pulling underneath the belt	
	03.06.2013	Weiss			
	Kontrolliert				
	Norm			Z-Nr.: 1008F-eng	
Geppert-Band GmbH Fördersysteme info@Geppert-Band.de www.Geppert-Band.de				1 A3	
Status	Änderungen	Datum	Name		



1 gear drive
 2
 3
 4
 5
 6
 7
 8

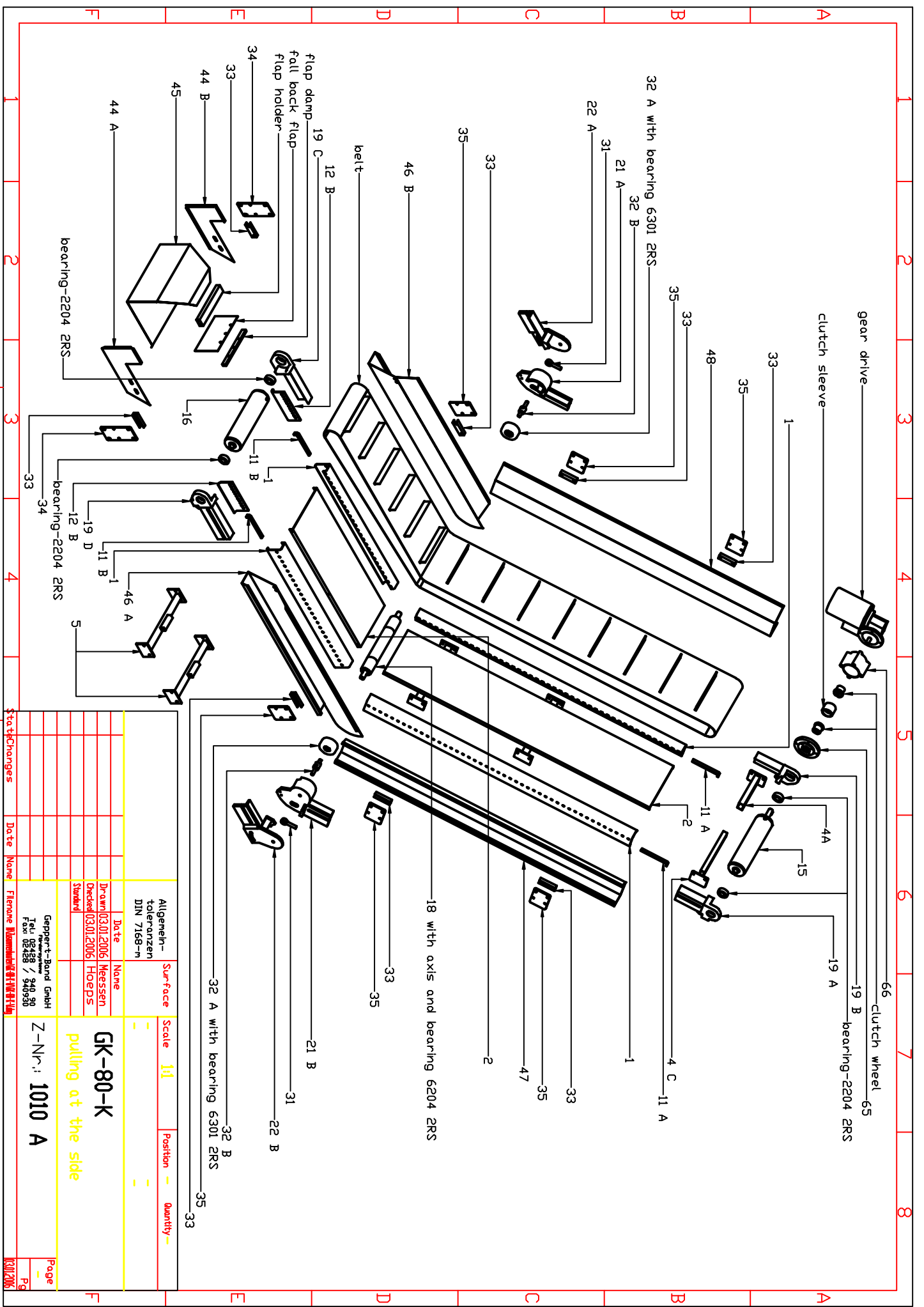
A
 66
 clutch sleeve
 35
 52
 35
 B
 19c
 belt
 C
 12 B
 bearing-2204 2RS
 41 A
 11 B
 38
 42
 fall-back flap
 D
 16
 bearing-2204 2RS
 41b

E
 65
 clutch wheel
 19 B
 bearing-2204 2RS
 11a
 15
 bearing-2204 2RS
 19a
 11a
 1
 2
 4a
 35
 52
 35
 19d
 11b
 12b
 F

F
 Blatt
 Z-Nr.: 1009
 17112005

Allgemein- toleranzen DIN 7168-m		Oberflächengl. stab 1		Position - -		Menge - -	
Datum	Name	Datum	Name				
Bearb. 17.11.2005	Neessen						
Gepr. 17.11.2005	Hoeps						
Norm							
Gepper-t-Band GmbH Tel: 05429 / 940 90 Fax: 05428 / 940930				Blatt			
Z-Nr.: 1009				17112005			

Zust. Änderungen Datum Name Datum Name Datum Name



gear drive _____ 65
 clutch sleeve _____ 66
 clutch wheel _____ 65
 bearing-2204 2RS _____ 19 B

32 A with bearing 6301 2RS _____ 32 B
 21 A _____ 21 B
 31 _____ 31
 35 _____ 35
 48 _____ 48
 33 _____ 33
 1 _____ 1
 35 _____ 35

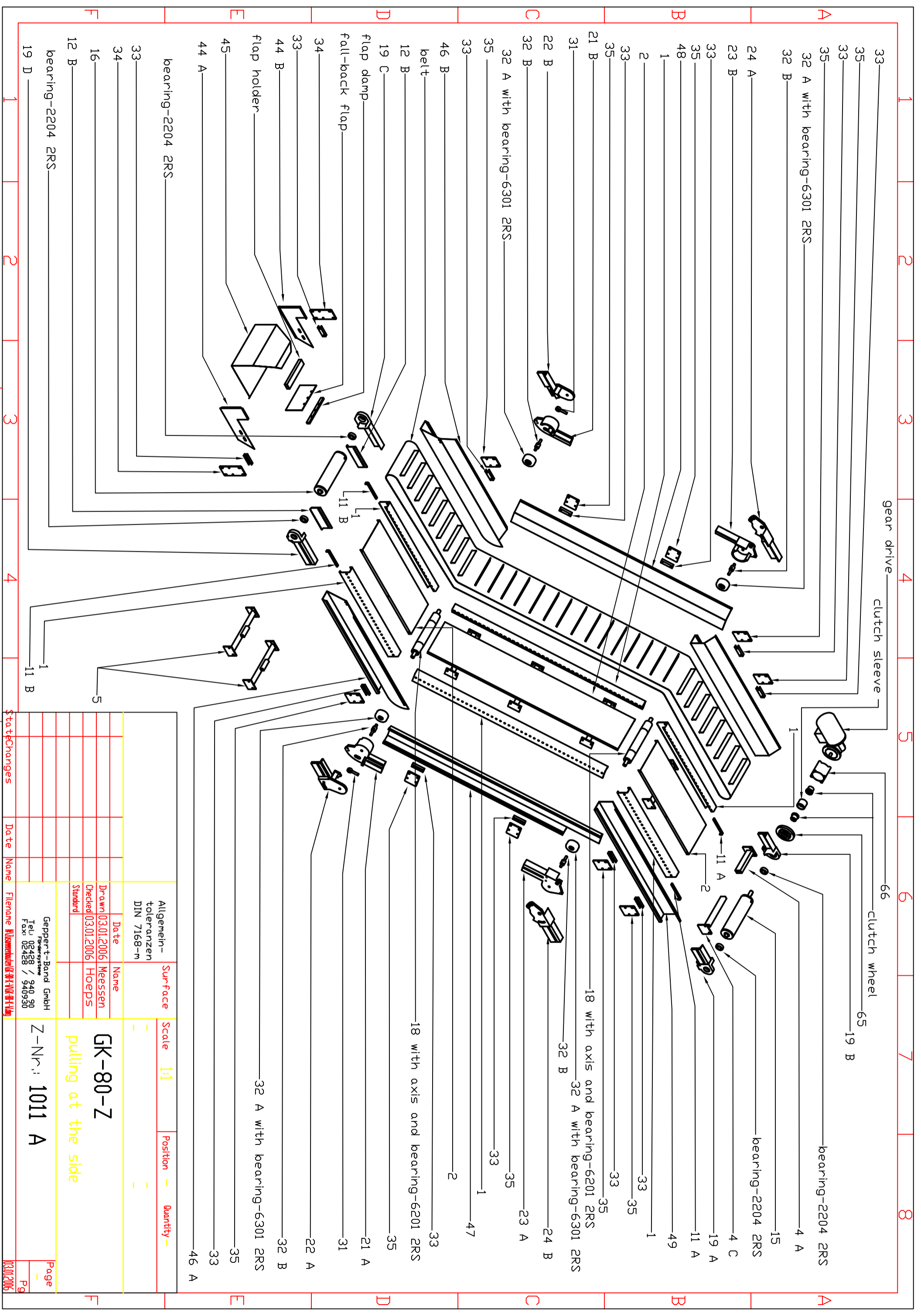
belt _____ 46 B
 33 _____ 33
 35 _____ 35
 47 _____ 47
 33 _____ 33
 35 _____ 35
 2 _____ 2
 11 A _____ 11 A
 2 _____ 2
 11 A _____ 11 A
 4 C _____ 4 C
 11 A _____ 11 A
 1 _____ 1
 4 _____ 4
 11 A _____ 11 A

flap damp _____ 19 C
 fall back flap _____ 12 B
 flap holder _____ 12 B
 33 _____ 33
 44 B _____ 44 B
 45 _____ 45
 44 A _____ 44 A
 16 _____ 16
 11 B _____ 11 B
 1 _____ 1
 11 B _____ 11 B
 12 B _____ 12 B
 19 D _____ 19 D
 11 B _____ 11 B
 46 A _____ 46 A
 5 _____ 5
 33 _____ 33
 34 _____ 34
 12 B _____ 12 B
 19 D _____ 19 D
 11 B _____ 11 B
 46 A _____ 46 A
 5 _____ 5

18 with axis and bearing 6204 2RS _____ 18
 33 _____ 33
 35 _____ 35
 21 B _____ 21 B
 31 _____ 31
 22 B _____ 22 B
 32 B _____ 32 B
 35 _____ 35

Surface	Scale	Position	Quantity
Allegemein-toleranzen DIN 7168-m	1:1	-	-
Date	Name		
Dr-wm/03.01.2006	Heessen		
Checked 03.01.2006	Hoeps		
Standard			
Gepper-t-Band GmbH Tel: 05459 / 940 98 Fax: 05458 / 940930			
Z-Nr.: 1010 A pulling at the side			
Page PG			10/2006

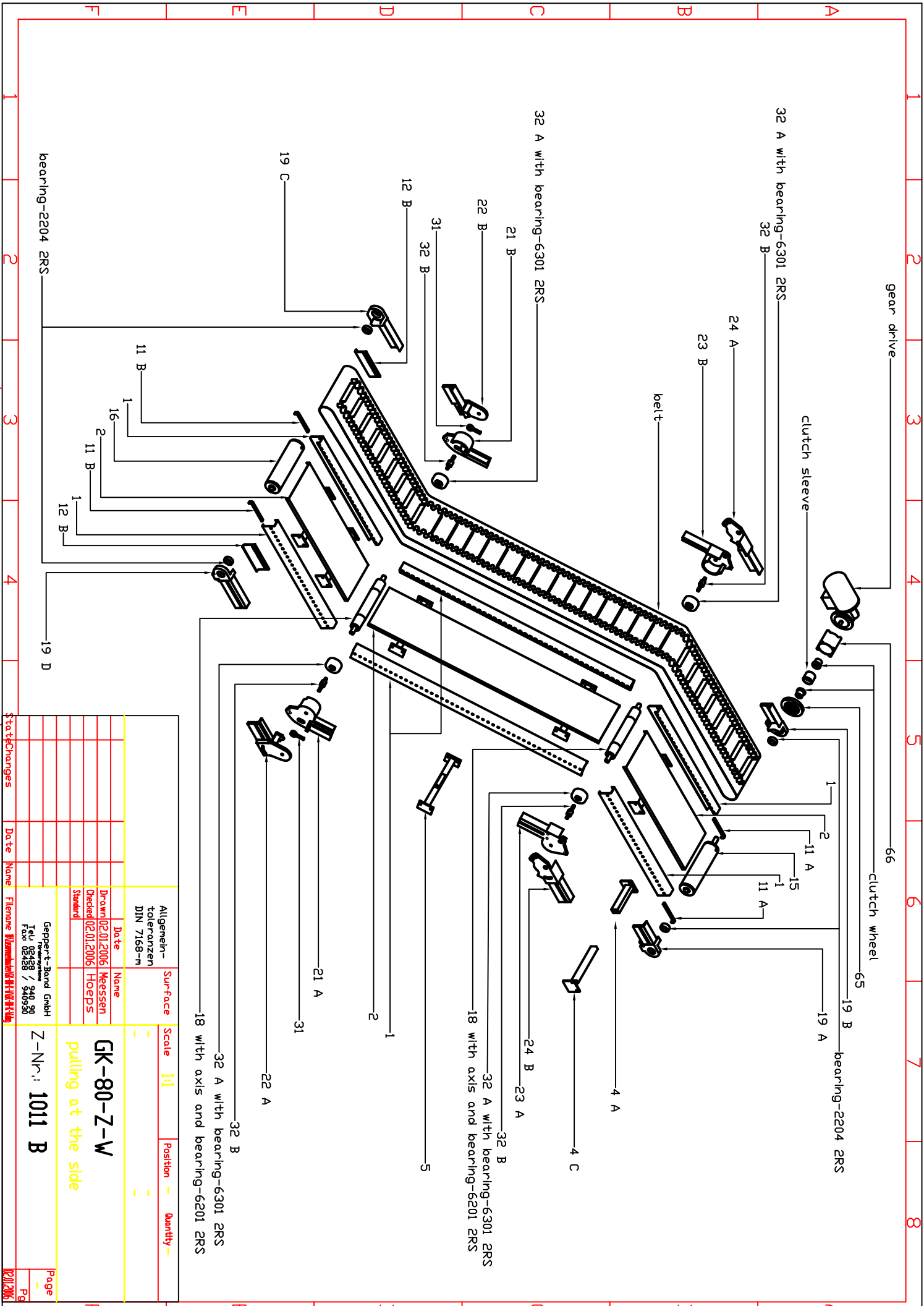
for changes Date Name



Surface	Name	Date	Name	Scale	Position	Quantity
Allgemein-toleranzen DIN 7168-m				1:1		
	Drawn	03.01.2006	Meessen			
	Checked	03.01.2006	Hoeps			
	Standard					

Geperit-Band GmbH Fibersysteme Tel: 02428 / 940 90 Fax: 02428 / 940930		Z-Nr.: 1011 A	Page Pg
Date Changes			03.01.2006

33	33	33	33	33	33
35	35	35	35	35	35
32 A with bearing-6301 RRS	32 B	24 A	23 B	33	35
32 B	24 A	23 B	33	35	48
1	2	33	35	48	1
2	33	35	48	1	2
33	35	48	1	2	33
21 B	31	22 B	32 B	35	32 A with bearing-6301 RRS
32 B	35	33	46 B	belt	12 B
35	33	46 B	belt	12 B	19 C
33	19 C	flap damp	fall-back flap	34	33
46 B	33	44 B	flap holder	45	44 A
belt	12 B	19 C	flap damp	fall-back flap	bearing-2204 RRS
12 B	19 C	flap damp	fall-back flap	bearing-2204 RRS	33
19 C	flap damp	fall-back flap	bearing-2204 RRS	33	34
flap damp	fall-back flap	bearing-2204 RRS	33	34	16
fall-back flap	bearing-2204 RRS	33	34	16	12 B
bearing-2204 RRS	33	34	16	12 B	bearing-2204 RRS
33	34	16	12 B	bearing-2204 RRS	19 D
34	16	12 B	bearing-2204 RRS	19 D	
16	12 B	bearing-2204 RRS	19 D		
12 B	bearing-2204 RRS	19 D			
bearing-2204 RRS	19 D				
19 D					



Surface	Scale	Position	Quantity
Allgemein- toleranzen DIN 7168-n	1:1		
Date	Name		
02.01.2006	Meessen		
02.01.2006	HOEPS		
Standard			

Gepper-t-Band GmbH Tel: 02428 / 940 90 Fax: 02428 / 940930	
Z-Nr.:	1011 B

Page	
Pg	

32 A with bearing-6301 2RS
 32 B
 24 A
 23 B
 belt
 21 B
 22 B
 31
 12 B
 19 C
 11 B
 1
 16
 2
 11 B
 12 B
 19 D
 66
 clutch wheel
 65
 19 B
 bearing-2204 2RS
 19 A
 11 A
 15
 11 A
 1
 21 A
 31
 18 with axis and bearing-6201 2RS
 18 with axis and bearing-6201 2RS
 24 B
 23 A
 32 A with bearing-6301 2RS
 32 B
 4 A
 4 C
 5
 1
 2
 3
 4
 5
 6
 7
 8
 9
 10
 11
 12
 13
 14
 15
 16
 17
 18
 19
 20
 21
 22
 23
 24
 25
 26
 27
 28
 29
 30
 31
 32
 33
 34
 35
 36
 37
 38
 39
 40
 41
 42
 43
 44
 45
 46
 47
 48
 49
 50
 51
 52
 53
 54
 55
 56
 57
 58
 59
 60
 61
 62
 63
 64
 65
 66
 67
 68
 69
 70
 71
 72
 73
 74
 75
 76
 77
 78
 79
 80
 81
 82
 83
 84
 85
 86
 87
 88
 89
 90
 91
 92
 93
 94
 95
 96
 97
 98
 99
 100

\$toChanges
 Date
 Name
 File name

GK-80-Z-W
 pulling at the side

1011 B

02.01.2006