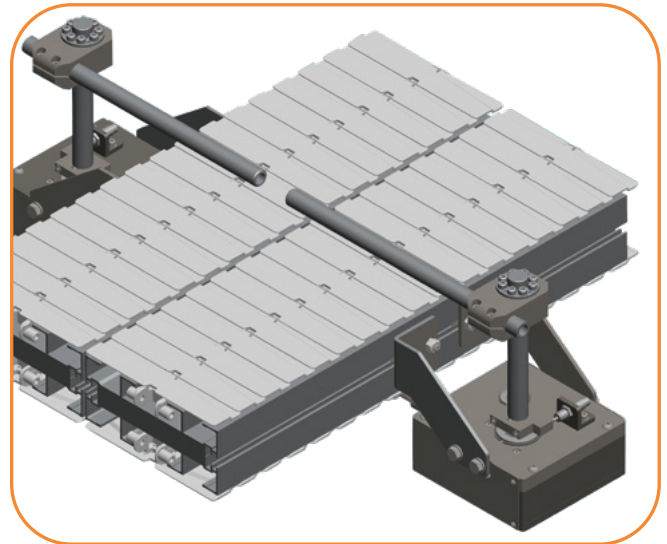


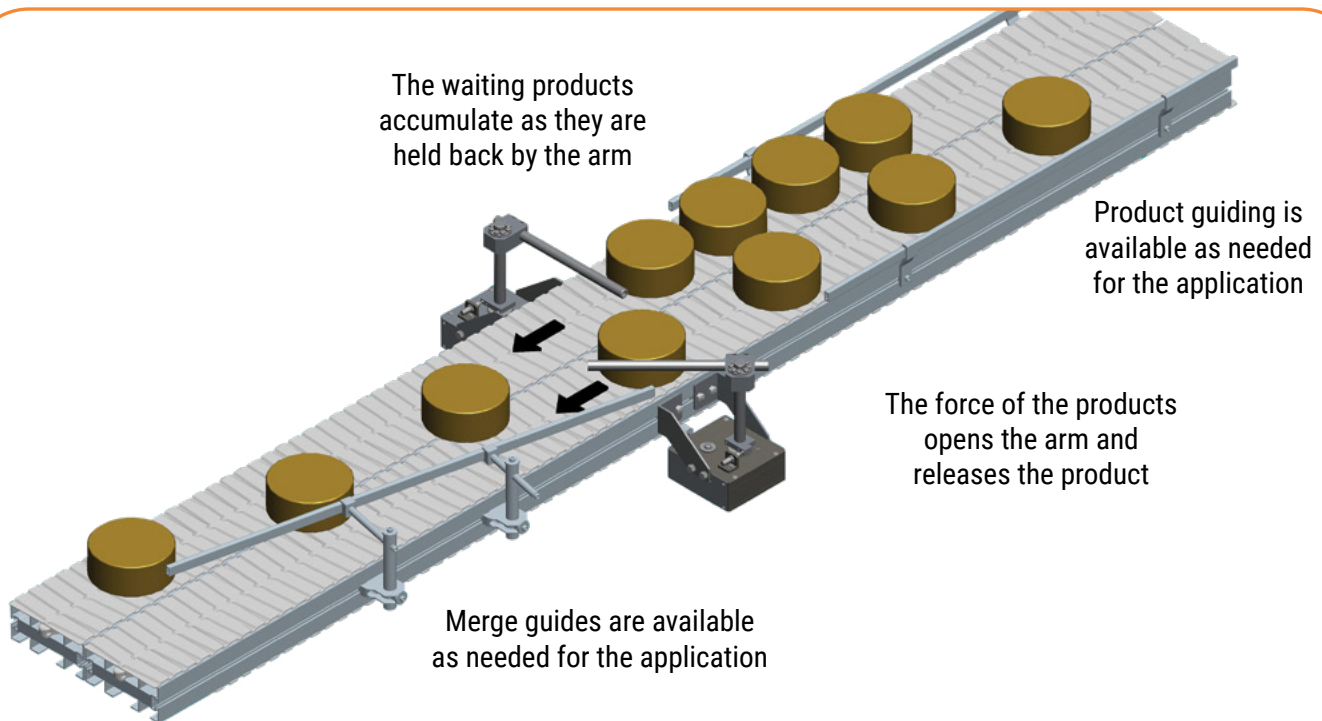
## SIDE ACTING MERGE MODULE

- Two-to-one lane merging without the need for control logic
- First in, first out style merge
- Opposite lane will proceed once the first lane exits or large product gap exists
- Activate arm is adjustable in both height and length
- Completely mechanical design, does not require electrical components, programming or air
- Easily modify the force required to activate the divert arm
- Designed for operator safety, no guarding required

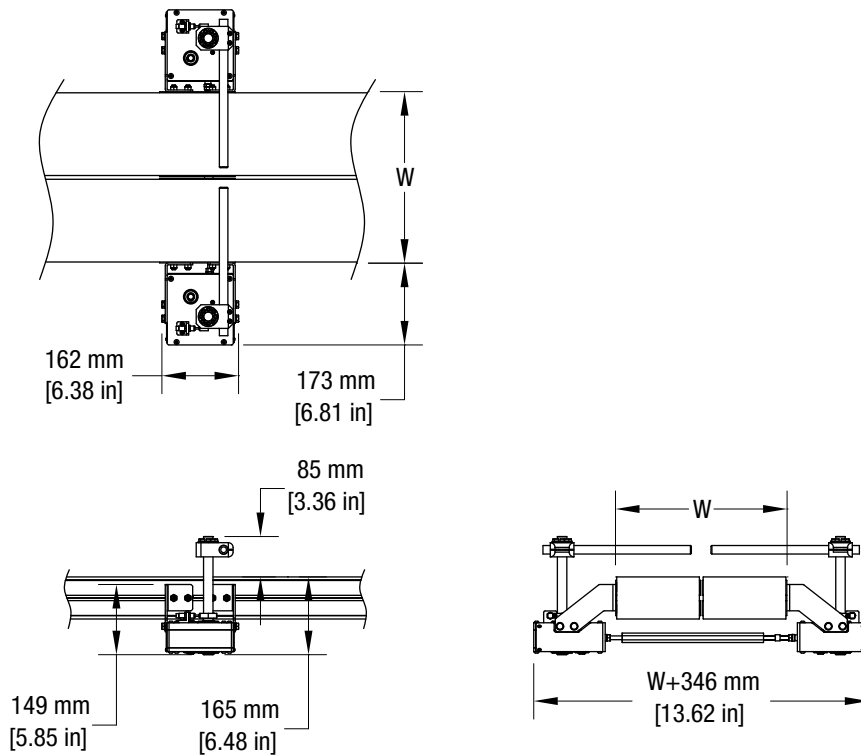


### FEATURES & SPECIFICATIONS

- Available on FlexMove Aluminium Conveyors, FS (65 mm), FM (85 mm), FC (105 mm), FL (150 mm), FU (180 mm) and FV (260 mm)
- Product must be able to withstand some back pressure
- Side Acting Merger is not suitable for high speed applications
- Min. Single Product Weight: 0.5 kg
- Max. Single Product Weight: 15 kg
- Max. Product Accumulation Weight: Up to 45 kg



## DIMENSIONS



Part Number: FZTC-SA-Wxxx

Where xxx = total width of merge area (W above)

## TRANSFORMING CONVEYOR AUTOMATION

### Dorner – North & South America

Dorner Mfg. Corp.  
USA  
+1-262-367-7600

Dorner Conveyors Ltd.  
Canada  
+1-289-208-7306

Dorner Latin America,  
S. de R.L. de C.V.  
+52.33.30037400

**DORNER**<sup>®</sup>  
By Columbus McKinnon

### Dorner – Europe

Dorner GmbH–Germany  
+49 (0) 2461/93767-0

Dorner SARL–France  
+33 (0)1 84 73 24 27

### Dorner – Asia

Dorner (M) Sdn. Bhd.  
Malaysia  
+604-626-2948

[dornerconveyors.com](http://dornerconveyors.com)

© Dorner Mfg. Corp. 2024.  
All Rights Reserved.  
851-922 0924